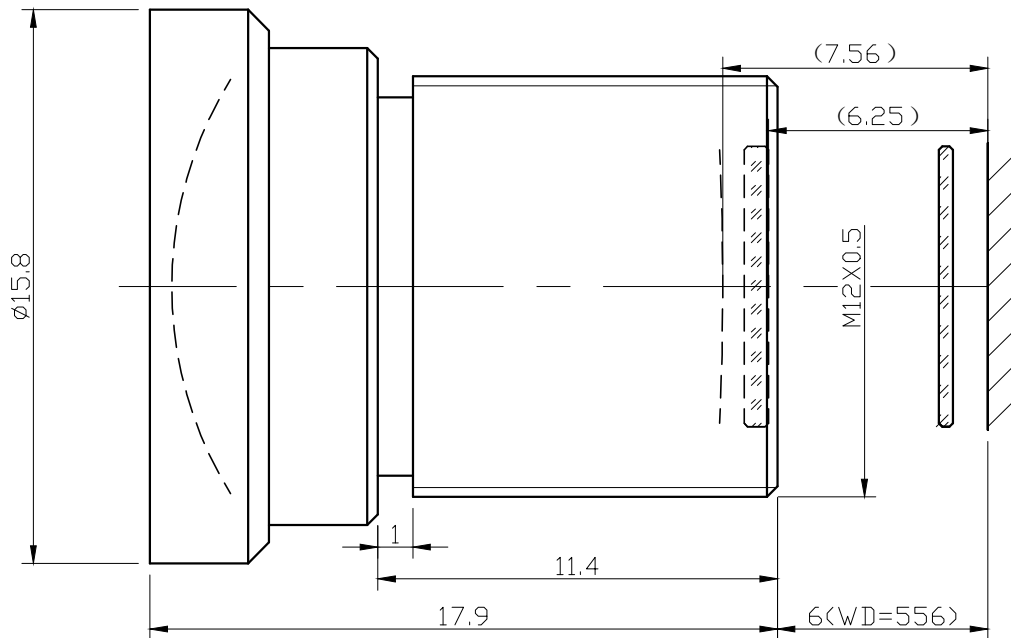


产品技术规格书 (Product Technical Specification)

No.	名称 (Name)	规格 (Specification)	No.	名称 (Name)	规格 (Specification)	
1	型号 (Model)	AZURE-IR1738MAC	14	视场角 F.O.V.(DxVxH)	1/2" 1/3 1/4	
2	物料代码 (Material Code)	3. A01. 210173810000-B			D	26.54 19.61 13.14
3	靶面格式 (Image Format)	1/2"			H	21.35 16.09 10.53
4	分辨率 (Resolution)	155 lp/mm			V	16.09 11.83 7.90
5	焦距 (Focal Length)	16.9mm	15	接口 (Mount)	M12×0.5	
6	后截距 (Back Focus)	6.25mm	16	适用物距 (Suitable Distance)	0.1-∞m	
7	F值 (F/No.)	3.75	17	最佳物距 (Optimum Working Distance)	0.56m	
8	光圈 (Iris Type)	Fixed	18	镀膜 (Coating)	800-900nm	
9	畸变 (Distortion)	<-0.27%	19	外形尺寸 (Dimension)	φ 15.8×17.9mm	
10	通光口径 (Lens Effective Diameter)	前面 (Front)	φ 10.71	20	重量 (Weight)	g
		后面 (Back)	φ 7.00	21	工作温度 (Operating Temperature)	-20°C~+65°C
11	相对照度 (Relative Illuminate)	86.6%	22	镜头组成 (Lens Construction)	5-4	
12	光学总长 (TTL)	23.14mm	23	最大主光线入射角 (CRA)	11.49°	
13	设计波长 (Design Wavelength)	800-900nm	24	滤镜尺寸 (Filter Thread)		

Size:



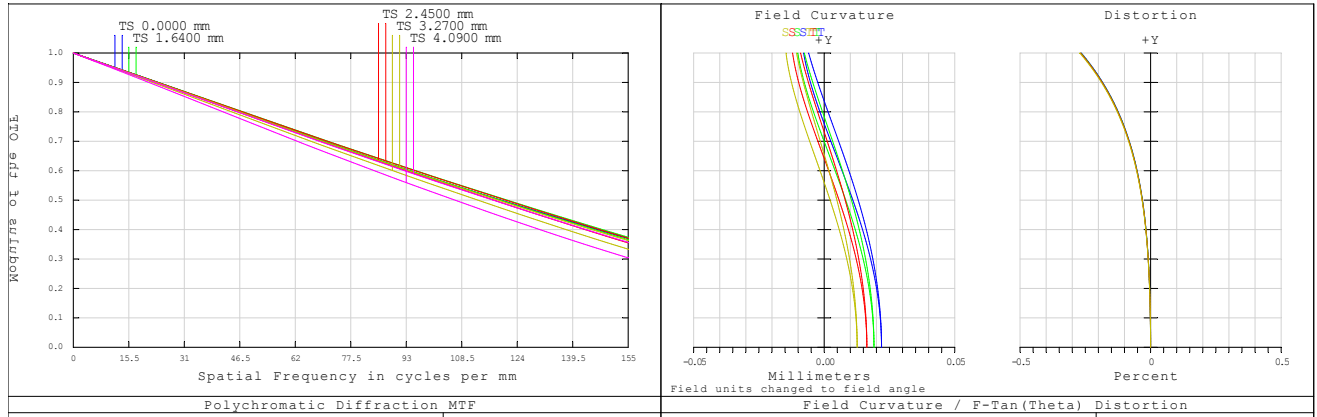
Unit:mm

Draw	Check	Recheck	Approval	福建浩蓝光电有限公司 AZURE Photonics Co.,Ltd

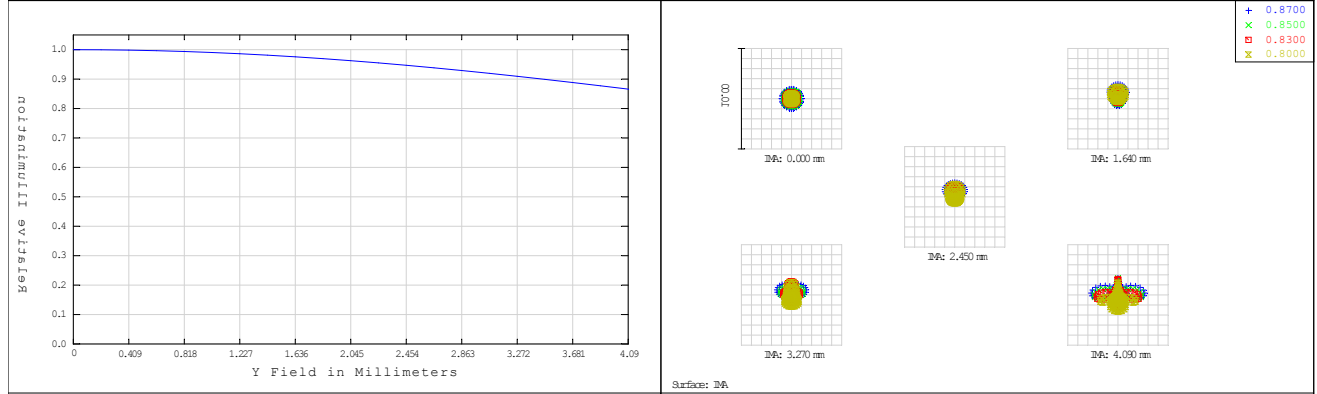
设计结果报告 (Optical Design Report)

1	2	3	4
传递函数图 (MTF)	场曲畸变图 (Field Curvature&Distortion)	相对照度图 (Relative Illumination)	星点图 (Spot Diagram)

WD=556mm



2019/11/1 Data for 0.8000 to 0.8700 μm . Surface: Image	IR1738MAC ok.zmx Configuration 2 of 3	2019/11/1 Maximum Field is 13.270 Degrees. Wavelengths: 0.870 0.850 0.830 0.800	IR1738MAC ok.zmx Configuration 2 of 3
--	--	---	--



2019/11/1 Wavelength: 0.850000 μm	IR1738MAC ok.zmx Configuration 2 of 3	2019/11/1 Units are μm . Field : 1 2 3 4 5 RMS radius : 0.559 0.505 0.503 0.610 0.953 GEO radius : 0.992 1.454 1.439 1.556 2.680 Scale bar : 10 Reference : Chief Ray	IR1738MAC ok.zmx Configuration 2 of 3
---	--	--	--