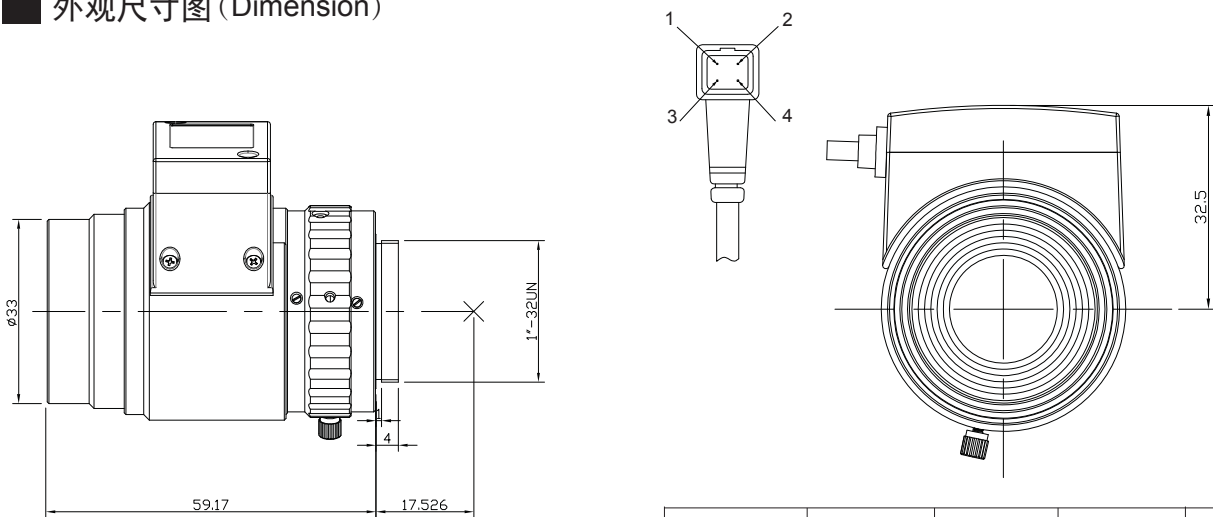


## AZURE-DN3520PML (P-Iris)

类别(Category)	规格参数(Parameters)
1. 型号 (Item No)	AZURE-DN3520PML
2. 分辨率 (Resolution)	130lp/mm(5MP)
3. 靶面尺寸(Format)	1"
4. 接口 (Mount)	C
5. 焦距 (Focal Length)	35mm
6. F值 (F/No)	2.0
7. 后焦距 (Back Focus)	19.67
8. 光圈类型 (Iris Type)	P-Iris
9. 视场角 (Angle of View)	26°
10. 畸变 (Distortion)	<-3%
11. 对焦范围 (Focusing range)	∞ ~ 1m
12. 设计波长 (Design Wavelength)	400~1000nm
13. 滤镜尺寸 (Filter Thread)	M30.5x 0.5mm
14. 外观尺寸 (Dimension)	∅ 39 x 59.17mm
15. 重量 (Weight)	189g

### 外观尺寸图 (Dimension)



CLOSE



STEP	PB	PA	PNA	PNB
Pin No.	1	2	3	4
STEP 1	L	L	H	H
STEP 2	L	H	L	H
STEP 3	H	H	L	L
STEP 4	H	L	H	L

### AZURE Photonics Co., Ltd

Building No.15, Haixi Hi-Tech Park, Wulongjiang Avenue, Shangjie Town, Minhou County, Fuzhou, Fujian 350108, P. R. China  
Tel: +86-591-83850581 Fax: +86-591-83850580 Web Site: www.azurephotonics.com

Maximum step: 68 steps(Full step)

Step (full_step)	F_number
0	2.0
5	2.23
10	2.42
15	2.64
20	2.89
25	3.17
30	3.59
35	4.07
40	4.65
45	5.43
50	6.47
55	7.95
60	10.2
65	14.1
68	18.5

#### Motor Specification

1. 电压 (VOLTAGE)	3.3V DC
2. 相位 (PHASE)	2 PHASE
3. 驱动类型 (DRIVE METHOD)	BIPOLAR
4. 阻值 (RESISTANCE)	20Ω ±7%