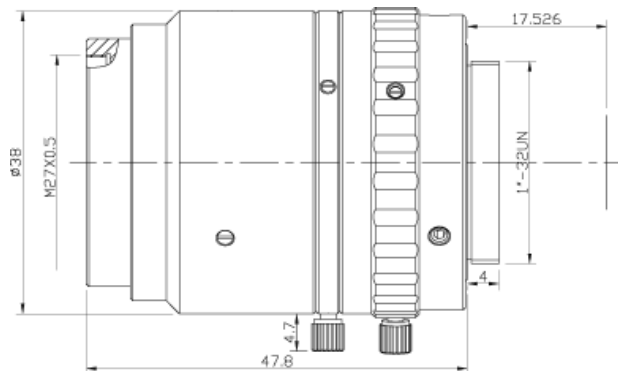


# AZURE-1218M10M

2/3" 12mm F1.8 Manual Iris C-Mount Lens,  
Low Distortion, 10 Megapixel Rated



Resolution:	200lp/mm (10MP)	
Format :	2/3"	
Mount :	C	
Focal Length:	12mm	
F/No range:	F1.8~F32	
Back Focus :	16.5mm	
Iris Type :	Manual Iris	
Angle of View(DxVxH):	2/3"	49.24°x 30.75°x40.27°
	1/2"	36.86°x 22.62°x29.86°
	1/3"	28.07°x 17.06°x22.62°
	1/4"	18.92°x 11.42°x15.19°
Distortion :	<-0.4%	
Working Distance:	0.1m~∞	
Coating Wavelength:	400nm~950nm	
Filter Thread :	M27x 0.5	
Dimension :	∅ 38 x 47.8mm	
Weight :	140g	



DISTRIBUTED BY [www.rmaelectronics.com](http://www.rmaelectronics.com)  
 35 Pond Park Road. Unit #12 Hingham, MA 02043 USA  
 +1(781)749-9700 [info@rmaelectronics.com](mailto:info@rmaelectronics.com)