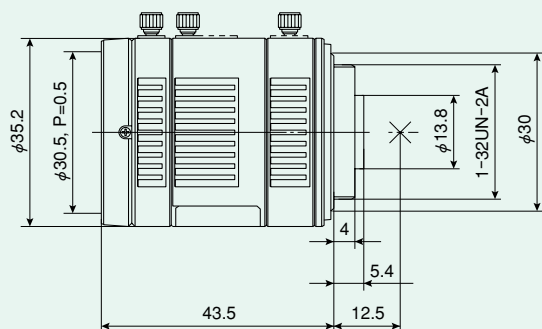


## 1/3 Format Manual Iris Vari-Focal

■ TS2V616(C70612)

CS-MOUNT  
Unit:mm



## 1/4 Format Auto-Iris Vari-Focal

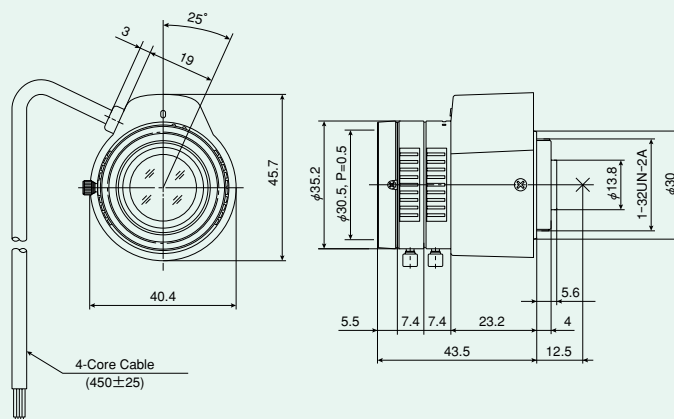
■ QS2V2212E

CS-MOUNT  
Unit:mm

■ QS2V2812E(C40205)

CS-MOUNT  
Unit:mm

COMING SOON!



■ Specifications		TS2V616	QS2V2212E	QS2V2812E
Focal Length		6~12mm	2.2~4.5mm	2.8~5.8mm
Max. Aperture Ratio		1:1.6	1:1.2	1:1.2
Iris Range		F1.6~Close	F1.2~200	F1.2~200
Operation Method	Iris	Manual	Auto	Auto
	Focus	Manual	Manual	Manual
	Zoom	Manual	Manual	Manual
1/4 Format Angle of View	Horizontal	34.92~17.21		76.21~36.41
	Vertical	26.01~12.90		55.84~27.22
1/3 Format Angle of View	Horizontal	47.22~22.97		
	Vertical	34.92~17.21		
1/2 Format Angle of View	Horizontal			
	Vertical			
Min. Object Distance		1.0m		0.3m
Back Focal Length		Min. 7.79mm		Min. 7.50mm
Flange Back Length		12.5mm	12.5mm	12.5mm
Filter Screw Size		φ 30.5mm P=0.5mm		φ 30.5mm P=0.5mm
Temperature Range		-20°C~+50°C	-20°C~+50°C	-20°C~+50°C
Dimensions		φ 36×43.5mm		40.4×45.7×43.5mm
Weight		43g		57g
Remarks			Video & DC Iris	Video & DC Iris