

Eh2020 Enclosure

INDOOR, SECURITY RATED, IN-CEILING, FOR SINGLE CAMERA

Product Features

- Low Profile, Small Wedge Style
- Designed for Small-to-Medium Format Cameras
- For Use in Fixed or Dropped (False) Ceilings
- Removable Lid Opens for Convenient Access to Camera
- Steel Construction
- Meets Most Fire Code Requirements

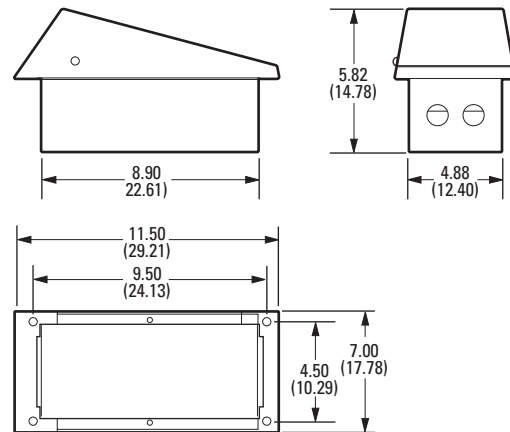


The **Eh2020** is a small, low profile ceiling enclosure designed for use with small-to-medium format cameras. The unobtrusive, compact design complements any business or office decor and provides increased protection for fixed camera installations.

The **Eh2020** is designed for use in hard or drop tile ceilings. Two ceiling support mounting brackets are included to mount the enclosure directly on a ceiling tile. Pelco also offers an optional 360-degree rotating mounting plate (E2020) for drop tile ceiling applications, which allows the enclosure to be rotated in 10-degree increments to change the viewing area. The enclosure is constructed from steel to provide increased protection and durability.

The **Eh2020** is designed for ease of installation and service. The lid is removable to provide convenient access for camera and lens adjustments. The enclosure has an adjustable camera mounting sled to accommodate small-to-medium format cameras.

Two tamper-resistant screws secure the enclosure lid to the back box, thereby restricting access by unauthorized personnel.



NOTE: VALUES IN PARENTHESES ARE CENTIMETERS; ALL OTHERS ARE INCHES.



DataFAX
SPEC: 21493
MANUAL: 214936 (EH2020), 24056 (E2020)

C1493 / REVISED 10-02



International Standards
 Organization Registered
 Firm ISO 9001 Quality System



TECHNICAL SPECIFICATIONS

MODELS

EH2020 Small, low profile, security-rated ceiling enclosure

MECHANICAL

Camera Mounting Adjustable bracket capable of supporting a maximum weight of 10 lb (4.53 kg)

Maximum Camera and Lens Size Accepts camera and lens combinations* (including BNC connector) up to:
3.0" H x 2.8" W x 8.0" L
(7.62 x 7.11 x 20.32 cm)

Ceiling Mounting Upper section flange-mounted to fixed ceiling or ceiling tile. Two soft-ceiling mounting brackets provided. Can also be mounted in E2020 rotating mounting plate for false ceiling applications

Cable Entry Two 0.875-inch (2.22 cm) diameter conduit knockouts on front and rear of back box

Security Two tamper-resistant screws (hollow Allen wrench supplied)

*Assumes lens is fully extended.

GENERAL

Construction
Body .047-inch (1.19 mm) thick, seam welded 18 gauge cold rolled steel

Viewing Window 0.188-inch (4.8 mm) thick LEXAN®

Color White epoxy polyester powder coat

Environment Indoor; 32° to 120°F (0° to 49°C)

Unit Weight
EH2020 3.5 lb (1.6 kg)
E2020 3.9 lb (1.8 kg)

Shipping Weight
EH2020 5.0 lb (2.3 kg)
E2020 6.0 lb (2.7 kg)

CERTIFICATIONS/RATINGS

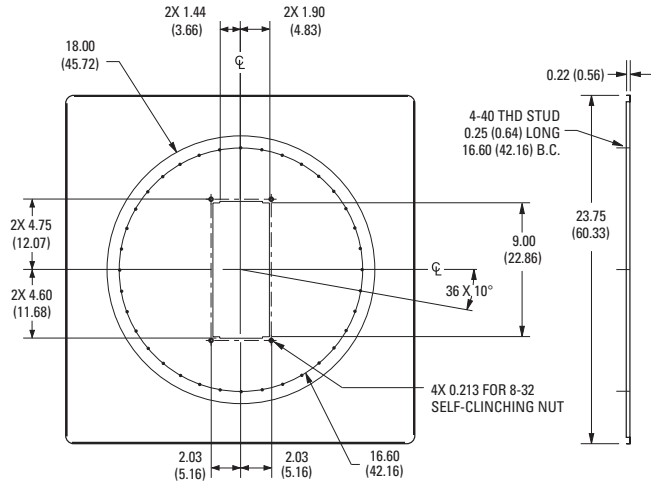
- UL Listed
- UL Listed to Canadian safety standards

OPTIONAL ACCESSORIES

E2020 360° rotating mounting plate; rotates in 10° increments and features "locking" capability to secure enclosure positioning. Replaces 2-ft x 2-ft (61 cm x 61 cm) ceiling tile; can be used in 2-ft x 4-ft (61 cm x 122 cm) ceiling tile with additional "T" rail for support. Constructed of aluminum with textured white polyester powder coat finish



E2020 ROTATING MOUNTING PLATE



NOTE: VALUES IN PARENTHESES ARE CENTIMETERS; ALL OTHERS ARE INCHES.



Pelco Worldwide Headquarters:
3500 Pelco Way, Clovis, California 93612-5699 USA
USA & Canada Tel: (800) 289-9100 • FAX (800) 289-9150 • DataFAX (800) 289-9108
International Tel: (559) 292-1981 • FAX (559) 348-1120 • DataFAX (559) 292-0435
www.pelco.com

LEXAN® is a registered trademark of the General Electric Company.
Specifications subject to change without notice.
©Copyright 2002, Pelco. All rights reserved.