



**For Security  
Vari-Focal**

**MP<sup>3</sup>**  
MEGA  
PIXELS

**YV2.8×2.8SA-SA2**

Applicable camera (model)

1 2/3 1/2 1/3 1/4

**2.8×**



**New!**

**VARI**  
Vari-Focal

**WIDE**  
Wide Angle

**3 Mega**  
For Megapixel  
Camera

**DC**  
DC Auto Iris

**CS-mt**  
CS Mount

**METAL**  
Metal Mount

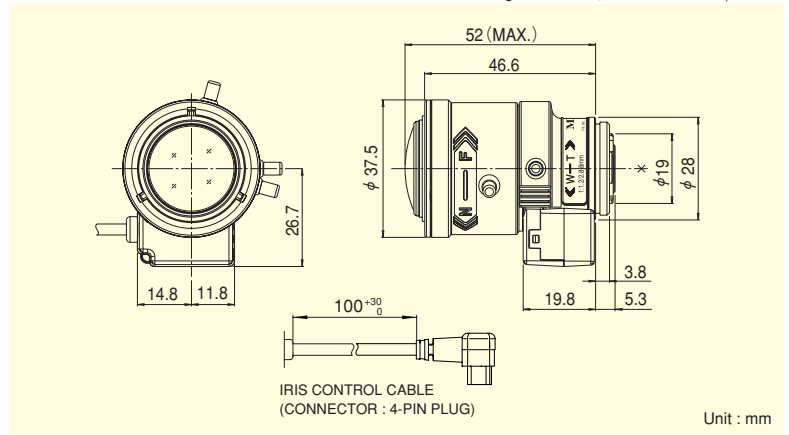
**N D**  
ND Filter

**230**  
Long Cable

**AT**  
Aspherical Lens

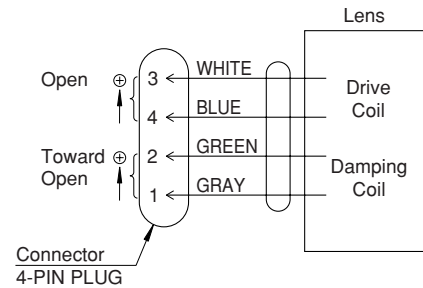
**F1.2**  
Wide Aperture Rate

- High image-quality monitoring with optical performance supporting 3 megapixels.
- WIDE 2.8mm, achieving a horizontal field angle of 100 degrees (when used on 1/3 cameras).
- Compact and lightweight design, best suited for use with dome cameras.
- Designed to maximize optical performance with high-accuracy aspheric lens, low-dispersion glass, and high refractive-index glass.
- Built-in ND filter of T360, supporting high sensitivity cameras.



Focal Length (mm)		2.8~8 (2.8×	
Iris Range		F1.2 ~ T360 (Equivalent to F360)	
Operation	Zoom	Manual	
	Focus	Manual	
	Iris	Auto (DC Type) (*1)	
Angle Of View (H×V)	1/3"	WIDE	100°00' × 73°45'
		TELE	35°03' × 26°18'
	1/4"	WIDE	73°45' × 54°49'
		TELE	26°18' × 19°44'
Focusing Range (From Front Of The Lens) (m)		∞ ~ 0.3	
Object Dimensions at M.O.D. (H×V) (mm)	1/3"	WIDE	744 × 468
		TELE	197 × 146
	1/4"	WIDE	468 × 323
		TELE	146 × 108
Back Focal Distance (in air) (mm)		7.70	
Exit Pupil Position (From Image Plane) (mm)		314	
Filter Thread (mm)		—	
Mount		CS	
Mass (g)		50	
Coil Resistance		Drive Coil	190Ω
		Damping Coil	500Ω
Current Consumption		23mA (Max.) at DC 4V	
Remarks	<ul style="list-style-type: none"> <li>• With Metal Mount</li> <li>(*1) When power is turned off, iris will automatically close.</li> </ul> <p>YV2.8×2.8SA-SA2L : Long Cable Type (230mm)</p>		

**Wiring**



[Lens Image]

2.8mm



8mm



MEGAPIXEL VARI-FOCAL LENSES