

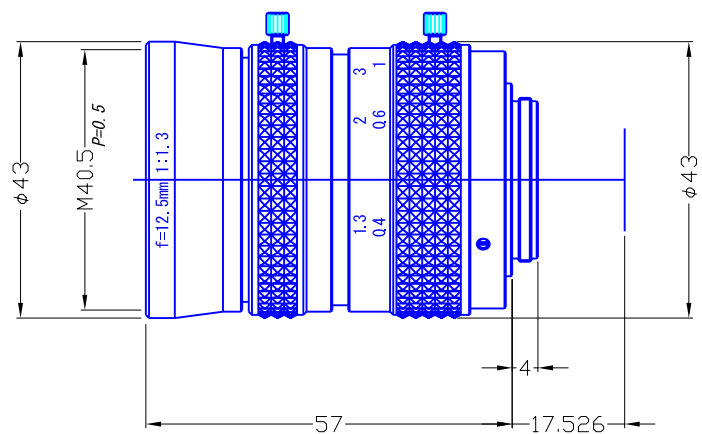
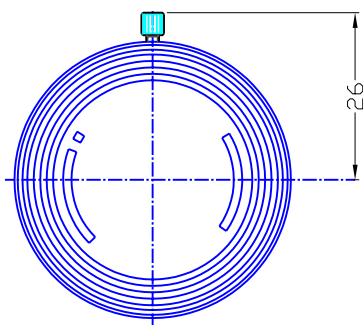
Type	MANUAL MONO		Mount	C		
Focal Length	12.5mm		Back Focus	16.36mm		
Fno.	F1.3		Mechanical Bf	13.5mm		
Designed Image Format	1"(9.6x12.8mm)		Exit Pupil	-59.29mm		
Operation Range	Iris	F1.3-16(CLOSE)	Filter Size	-		
	Focus	0.23m ~ infinity	Aperture	Front	φ30.6mm	
	Zoom	-		Rear	φ18.0mm	
Control	Iris	Manual	TV Distortion	-0.92%		
	Focus	Manual		Vignetting	-61.6%	
	Zoom	-				
Object Size at MOD		187 x251mm	Dimension	φ43x57mm		
		-	Weight	g		
Field of View	V	41.9°	2/3"	30.00°	1/2"	22.00°
	H	54.5°		39.60°		30.04°
	D	65.4°		48.80°		36.01°
Operating Temperature	-10 ~ +50 Celsius					

1"

C

CM

DIMENSIONS



MAGNIFICATION

() : 14" MONITOR TV	O/l = 3000mm : -0.0042X (0.093X)	O/l = 500mm : -0.0280X (0.622X)
	O/l = 1000mm : -0.0132X (0.293X)	O/l = 400mm : -0.0362X (0.805X)
	O/l = 600mm : -0.0229X (0.508X)	O/l = 300mm : -0.0511X (1.135X)