

10X 16~160 mm F1.8

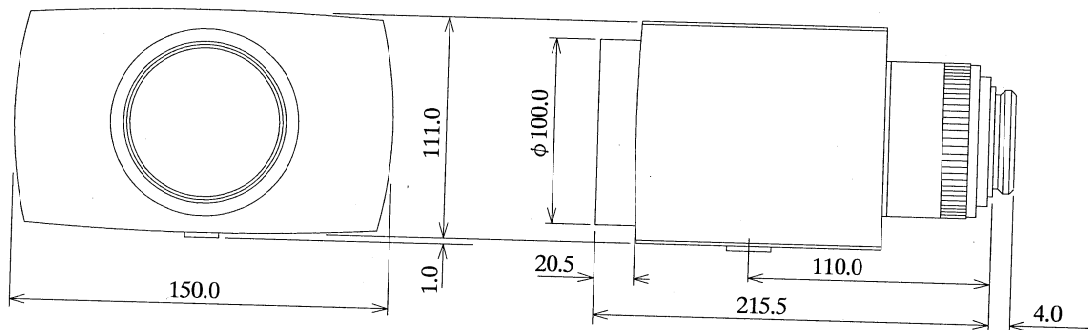
for 1" format camera

C-Mount

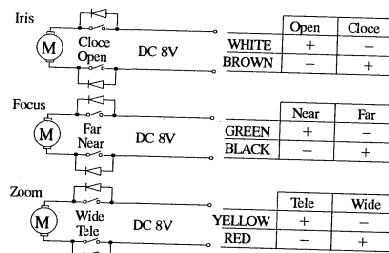
<b>Model No.</b>	V10Z1618MS		<b>Effective</b>	<b>Front</b>	φ 88.0 mm
<b>Focal Length</b>	16~160 mm		<b>Lens Aperture</b>	<b>Rear</b>	φ 23.9 mm
<b>Max. Aperture Ratio</b>	1:1.8		<b>Back Focal Length</b>	28.5 mm	
<b>Max. Image Format</b>	12.8×9.6 mm (φ 16 mm)		<b>Flange Back Length</b>	17.526 mm	
<b>Operation</b>	<b>Iris</b>	Motorized, F1.8~560C	<b>Mount</b>	C-Mount	
	<b>Focus</b>	Motorized, 1.5m~Inf.	<b>Filter Size</b>	M95x1.0 mm	
	<b>Zoom</b>	Motorized, 16~160 mm	<b>Tripod Screw</b>	1/4"-20 UNC	
<b>Object Dimension</b>	16 mm	117.1 x 87.8 cm	<b>Dimension</b>	W150xH112xD215.5 mm	
	at M.O.D. 160 mm	12.3 x 9.2 cm	<b>Weight</b>	3410 g	
<b>Angle of View</b>	D	1"	54.9° ~ 5.7°		
	H		44.9° ~ 4.6°		
	V		31.3° ~ 3.5°		
<b>Control</b>	<b>Iris</b>		<b>Focus</b>		<b>Zoom</b>
	<b>Supply Voltage</b>	DC 8 V	DC 8 V		DC 8 V
	<b>Current</b>	40 mA or less	80 mA or less		70 mA or less
	<b>Transit Time</b>	Approx. 3 sec.	Approx. 6 sec.		Approx. 4 sec.
<b>Operating Temperature</b>	-10° C ~ +50° C				

M.O.D. : Minimum Object Distance

### Dimensions



### Wiring Diagram



Remarks: Connect together with Brown (Iris), Black (Focus) and Red (Zoom) for common system when necessary.