

TG3Z1014FCS

VARI FOCAL 2.5X 10.0~25.0mm F1.4

for 1/3" format cameras

CS-Mount

with Focus, w/o Amplifier

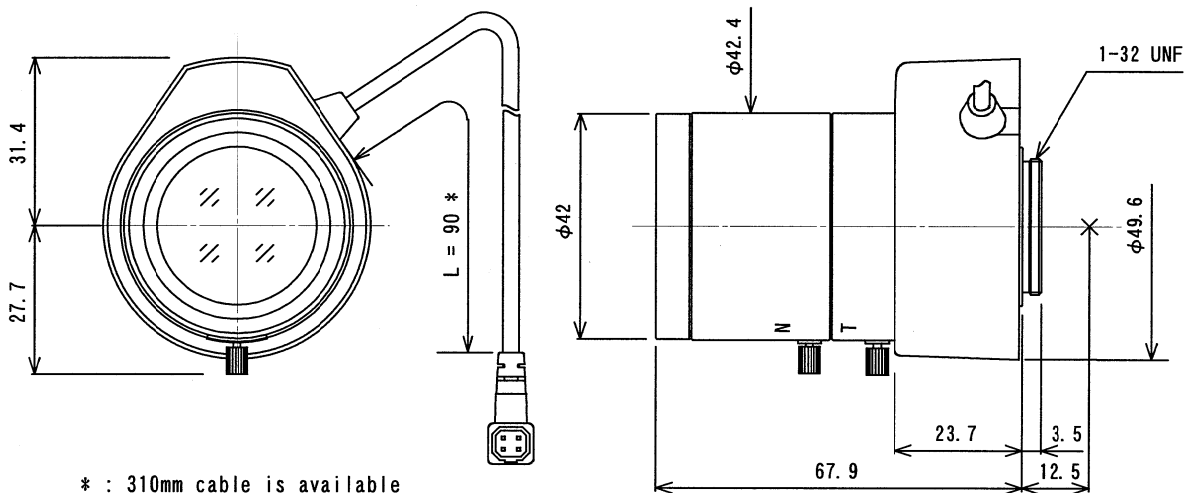
Model No.	TG3Z1014FCS		Effective	Front	φ 29.0mm
Focal Length	10 ~ 25mm		Lens Aperture	Rear	φ 9.6mm
Max. Aperture Ratio	1 : 1.4		Back Focal Length	Tele	8.6mm
Max. Image Format	4.8 x 3.6mm (φ 6mm)			Wide	10.3mm
Operation Range	Iris	F1.4 ~ 360	Flange Back Length		12.5mm
	Focus	0.5m ~ Inf.	Mount		CS-Mount
	Zoom	10 ~ 25mm	Filter Size		M40.5 P=0.5mm
Control	Iris	Auto Iris	Dimensions		φ 42.4 x 56.2 x 67.9mm
	Focus	Manual	Weight		145g
	Zoom	Manual			
Object Dimension at M.O.D.	10 mm	23.9 × 17.7cm			
	25 mm	9.9 × 7.4cm			
Angle of View	D	33.9~14.0°	1/4"	25.3~10.6°	
	H	26.9~11.3°		20.1~8.5°	
	V	20.1~8.5°		15.1~6.4°	
Coil	Drive	190 Ω			
	Control	1000 Ω			
Operating Temperature	-20 ~ +50° C				

1/3

CS

M.O.D. : Minimum Object Distance

Dimensions



AG

Z

SP

Wiring Diagram

