

TG3Z1014AFCS

VARI FOCAL 2.5X 10.0~25.0mm F1.4

for 1/3" format cameras

CS-Mount

with Focus, with Amplifier

Model No.	TG3Z1014AFCS		Effective Lens Aperture	Front	φ 29.0mm
Focal Length	10 ~ 25mm		Back Focal Length	Rear	φ 9.6mm
Max. Aperture Ratio	1 : 1.4		Length	Tele	8.6mm
Max. Image Format	4.8 x 3.6mm (φ 6mm)			Wide	10.3mm
Operation Range	Iris	F1.4 ~ 360	Flange Back Length	12.5mm	
	Focus	0.5m ~ Inf.	Mount	CS-Mount	
	Zoom	10 ~ 25mm	Filter Size	M40.5 P=0.5mm	
Control	Iris	Auto Iris	Dimensions	φ 42.4 x 56.2 x 67.9mm	
	Focus	Manual	Weight	150g	
	Zoom	Manual			
Object Dimension at M.O.D.	10 mm	23.9 x 17.7cm			
	25 mm	9.9 x 7.4cm			
Angle of View	D	33.9~14.0°	1/4"	25.3~10.6°	
	H	26.9~11.3°		20.1~8.5°	
	V	20.1~8.5°		15.1~6.4°	
Supply Voltage	DC8 ~ 16V				
Current	Less than 35mA				
Response Time	Approx. 2 sec.				
Light Weighting Method	Adjustable between Average - Peak (to be set at Average at factory)				
Input Signal	Video Signal (V or VS)				
Iris Accuracy	± 15% at Video Signal Level				
Sensitivity Adjustment	0.5 ~ 1.0Vp-p (Video Signal)				
Input Impedance	High Impedance				
Operating Temperature	-20 ~ +50°C				

1/3

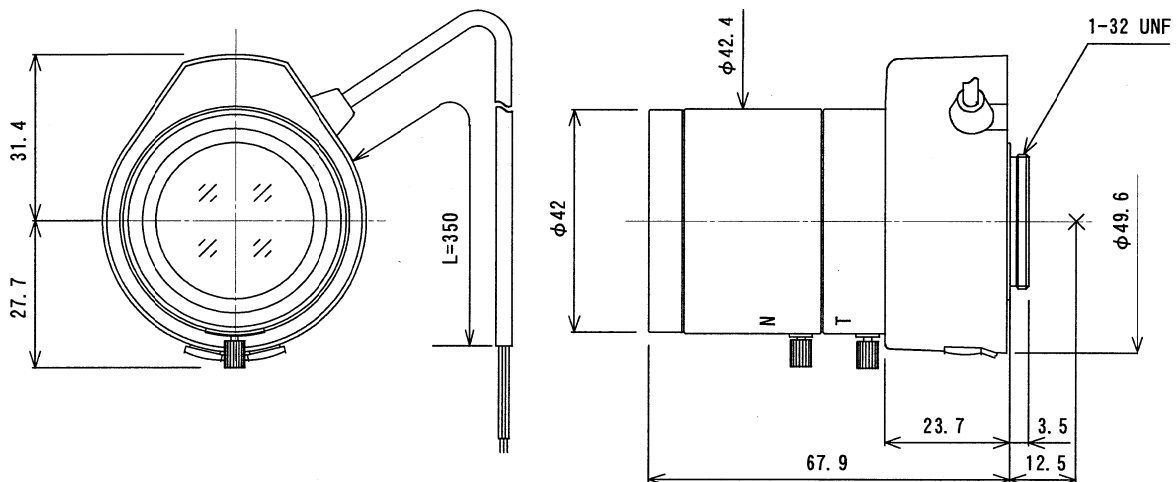
CS

AG

Z

M.O.D. : Minimum Object Distance

Dimensions



SP

Wiring Diagram

