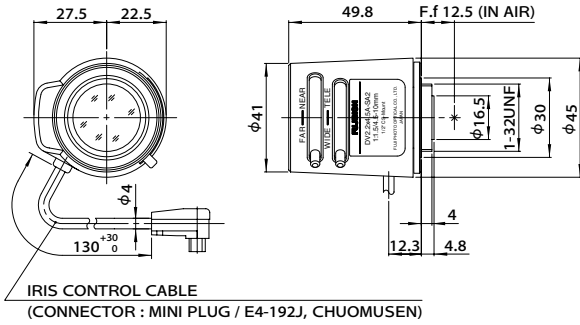


For Security

1/2" VARI-FOCAL

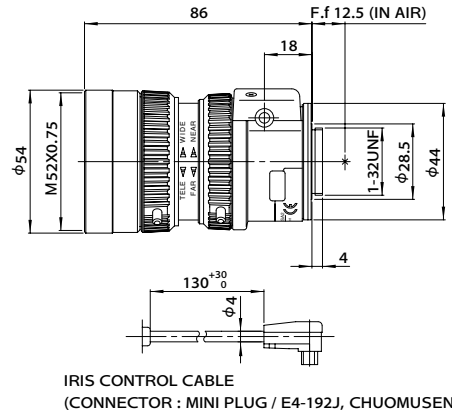
Auto Iris Vari-focal Length Lens (DC Type)

DV2.2 × 4.5A-SA2



Unit : mm

DV10 × 7.5A-SA2

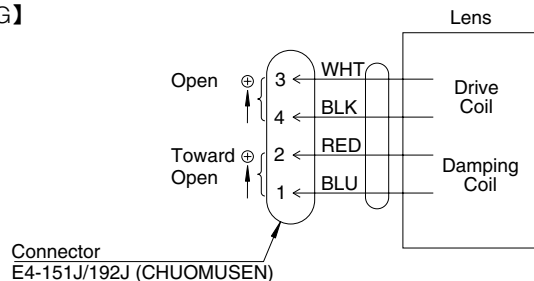


Unit : mm

Model		DV2.2 × 4.5A-SA2	DV10 × 7.5A-SA2
Focal Length (Zoom Ratio)		4.5mm ~ 10mm (2.2×)	7.5mm ~ 75mm (10×)
Iris Range		F1.5 ~ T360 (Equivalent to F360)	F2.2 ~ T360 (Equivalent to F360)
Operation	Iris	Auto (Not Incorporating Amplifier) (*)	
	Focus	Manual	
	Zoom	Manual	
Angle of View (H × V)	1/2"	Wide	82° 58' × 60° 45'
		Tele	35° 35' × 26° 41'
	1/3"	Wide	60° 43' × 45° 03'
		Tele	26° 41' × 20° 01'
	1/4"	Wide	45° 03' × 33° 35'
		Tele	20° 01' × 15° 01'
Focusing Range		∞ ~ 0.3m (from Front of Lens)	
Object Dimensions at M.O.D. (H × V)	1/2"	Wide	547mm × 367mm
		Tele	203mm × 150mm
	1/3"	Wide	363mm × 261mm
		Tele	150mm × 111mm
	1/4"	Wide	261mm × 190mm
		Tele	111mm × 83mm
Back Focal Distance		8.34mm (in air)	9.36mm (in air)
Filter Thread		—	
Mount		CS Mount	
Mass		Approx. 70g	Approx. 220g
Exit Pupil Position		-24.9mm (from Image Plane)	-121mm (from Image Plane)
Coil Resistance		Drive Coil 200Ω Damping Coil 600Ω	
Current Consumption		22mA (Max.) at 4V DC	

(*)1 When power is turned off, iris will automatically be closed.

【WIRING】



<Available Model>

Long Cable Type (ℓ =330mm)

DV2.2 × 4.5A-SA2L

DV10 × 7.5A-SA2L

For Security

DV2.2 × 4.5A-SA2
DV10 × 7.5A-SA2