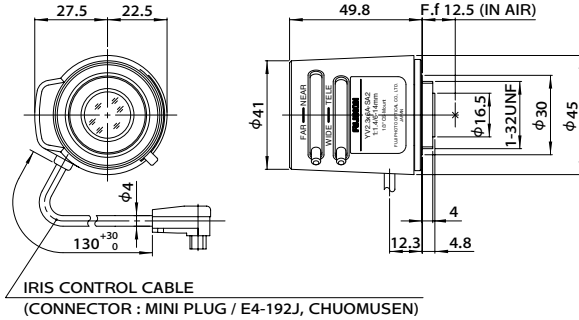


For Security

# 1/3" VARI-FOCAL

Auto Iris Vari-focal Length Lens (DC Type)

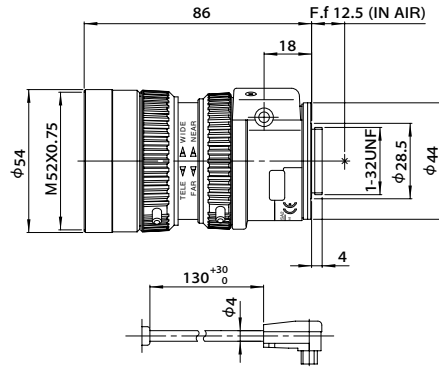
**YV2.3 × 6A-SA2**



IRIS CONTROL CABLE  
(CONNECTOR : MINI PLUG / E4-192J, CHUOMUSEN)

Unit : mm

**YV10 × 5A-SA2**



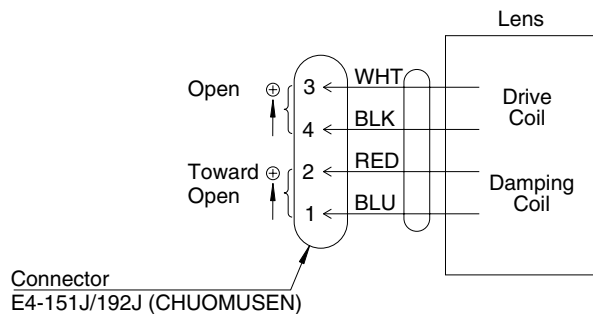
IRIS CONTROL CABLE  
(CONNECTOR : MINI PLUG / E4-192J, CHUOMUSEN)

Unit : mm

Model		YV2.3 × 6A-SA2	YV10 × 5A-SA2
Focal Length (Zoom Ratio)		6mm ~ 14mm (2.3×)	5mm ~ 50mm (10×)
Iris Range		F1.4 ~ T360 (Equivalent to F360)	F1.8 ~ T360 (Equivalent to F360)
Operation	Iris	Auto (Not Incorporating Amplifier) (*1)	
	Focus	Manual	
	Zoom	Manual	
Angle of View (H × V)	1/3"	Wide	43° 36' × 33° 24'
		Tele	19° 27' × 14° 39'
	1/4"	Wide	33° 24' × 25° 22'
		Tele	14° 39' × 11°
Focusing Range		∞ ~ 0.3m (from Front of Lens)	
Object Dimensions at M.O.D. (H × V)	1/3"	Wide	256mm × 192mm
		Tele	109mm × 82mm
	1/4"	Wide	192mm × 144mm
		Tele	82mm × 62mm
Back Focal Distance		8.58mm (in air)	9.36mm (in air)
Filter Thread			
Mount		CS Mount	
Mass		Approx. 70g	Approx. 220g
Exit Pupil Position		-27mm (from Image Plane)	176mm (from Image Plane)
Coil Resistance		Drive Coil 200Ω Damping Coil 600Ω	
Current Consumption		22mA (Max.) at 4V DC	

(\*1) When power is turned off, iris will automatically be closed.

**【WIRING】**



<Available Model>  
Long Cable Type ( ℓ =330mm)

YV2.3 × 6A-SA2L

YV10 × 5A-SA2L