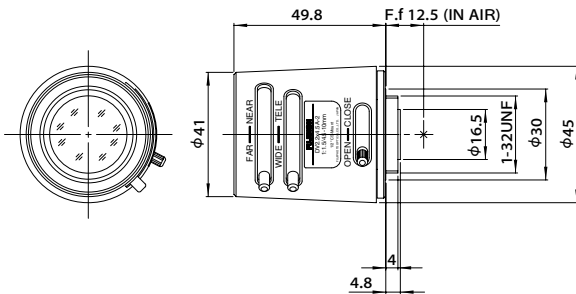


For Security

1/2" VARI-FOCAL

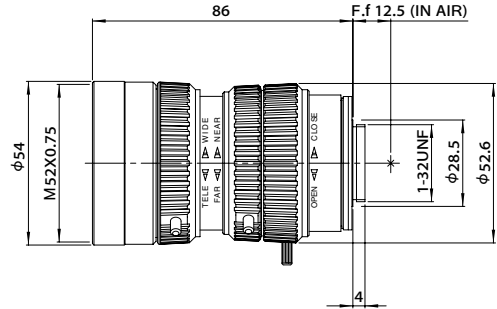
Manual Vari-focal Length Lens

DV2.2 × 4.5A-2



Unit : mm

DV10 × 7.5A-2



Unit : mm

Model		DV2.2 × 4.5A-2		DV10 × 7.5A-2	
Focal Length (Zoom Ratio)		4.5mm ~ 10mm (2.2×)		7.5mm ~ 75mm (10×)	
Iris Range		F1.5 ~ Close		F2.2 ~ Close	
Operation	Iris	Manual			
	Focus	Manual			
	Zoom	Manual			
Angle of View (H × V)	1/2"	Wide	82° 58' × 60° 45'	46° 13' × 35° 29'	
		Tele	35° 35' × 26° 41'	4° 53' × 3° 40'	
	1/3"	Wide	60° 45' × 45° 03'	35° 29' × 26° 37'	
		Tele	26° 41' × 20° 01'	3° 40' × 2° 45'	
	1/4"	Wide	45° 03' × 33° 35'	26° 37' × 19° 58'	
		Tele	20° 01' × 15° 01'	2° 45' × 2° 04'	
Focusing Range		∞ ~ 0.3m (from Front of Lens)			
Object Dimensions at M.O.D. (H × V)	1/2"	Wide	547mm × 363mm	286mm × 213mm	
		Tele	203mm × 150mm	111mm × 84mm	
	1/3"	Wide	363mm × 261mm	213mm × 160mm	
		Tele	150mm × 111mm	83mm × 63mm	
	1/4"	Wide	261mm × 190mm	160mm × 120mm	
		Tele	111mm × 83mm	62mm × 47mm	
Back Focal Distance		8.34mm (in air)		9.36mm (in air)	
Filter Thread		—		M52 × 0.75mm	
Mount		CS Mount			
Mass		Approx. 60g		Approx. 215g	
Exit Pupil Position		-24.9mm (from Image Plane)		-121mm (from Image Plane)	

For Security

DV2.2 × 4.5A-2 / DV10 × 7.5A-2