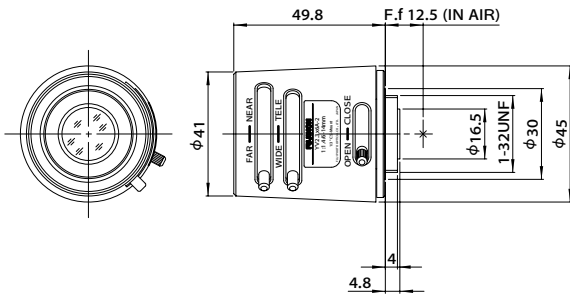


For Security

1/3" VARI-FOCAL

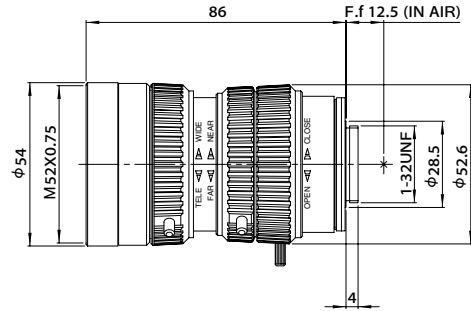
Manual Vari-focal Length Lens

YV2.3 × 6A-2



Unit : mm

YV10 × 5A-2



Unit : mm

Model		YV2.3 × 6A-2	YV10 × 5A-2
Focal Length (Zoom Ratio)		6mm ~ 14mm (2.3×)	5mm ~ 50mm (10×)
Iris Range		F1.4 ~ Close	F1.8 ~ Close
Operation	Iris	Manual	
	Focus	Manual	
	Zoom	Manual	
Angle of View (H × V)	1/3"	Wide	43° 36' × 33° 24'
		Tele	19° 27' × 14° 39'
	1/4"	Wide	33° 24' × 25° 22'
		Tele	14° 39' × 11° 01'
Focusing Range		$\infty \sim 0.3\text{m}$ (from Front of Lens)	
Object Dimensions at M.O.D. (H × V)	1/3"	Wide	256mm × 192mm
		Tele	109mm × 82mm
	1/4"	Wide	192mm × 144mm
		Tele	82mm × 62mm
Back Focal Distance		8.58mm (in air)	9.70mm (in air)
Filter Thread		—	M52 × 0.75mm
Mount		CS Mount	
Mass		Approx. 60g	Approx. 215g
Exit Pupil Position		-27mm (from Image Plane)	176mm (from Image Plane)