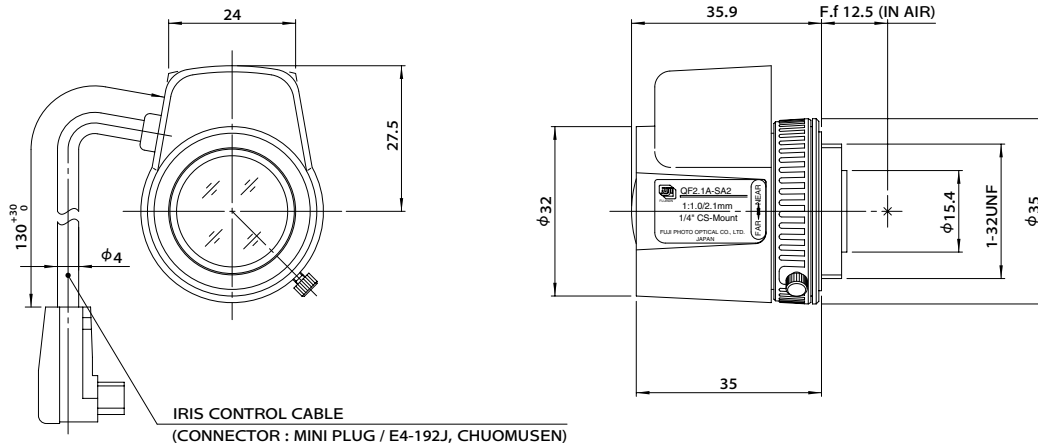


For Security

# 1/4" FIXED

## Auto Iris Fixed Focal Length Lens (DC Type)

**QF2.1A-SA2**



IRIS CONTROL CABLE  
(CONNECTOR : MINI PLUG / E4-192J, CHUOMUSEN)

Unit : mm

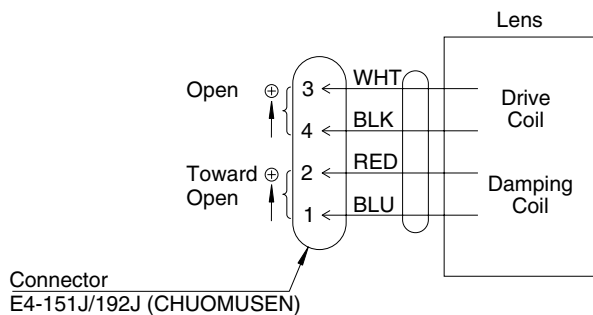
Model		QF2.1A-SA2
Focal Length		2.1mm
Iris Range		F1.0 ~ T300 (Equivalent to F300)
Operation	Iris	Auto (Not Incorporating Amplifier) (*1)
	Focus	Manual
Angle of View (H × V)	1/4"	90° 58' × 70° 06'
Focusing Range		∞ ~ 0.1m (from Front of Lens)
Object Dimensions at M.O.D. (H × V)	1/4"	191mm × 143mm
Back Focal Distance		8.12mm (in air)
Filter Thread		—
Mount		CS Mount
Mass		Approx. 40g
Exit Pupil Position		20mm (from Image Plane)
Coil Resistance		Drive Coil 200Ω Damping Coil 600Ω
Current Consumption		22mA (Max.) at 4V DC

(\*1) When power is turned off, iris will automatically be closed.

**【WIRING】**

<Available Model>  
Long Cable Type ( ℓ =330mm)

**QF2.1A-SA2L**



Connector  
E4-151J/192J (CHUOMUSEN)