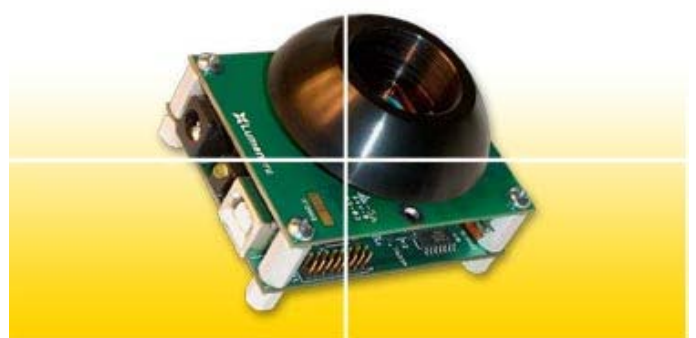


2.0 Megapixel USB 2.0 Camera**Outline**

Lumenera's Lu270 and Lu275 series of megapixel cameras are designed to be used in a wide variety of applications where high-fidelity color and high resolution are required.

With 1600x1200 resolution and on-board processing these cameras deliver outstanding image quality and value for industrial and scientific imaging applications.

Uncompressed images in live streaming video and still image capture are provided across a high-speed USB 2.0 digital interface (480Mbits/sec). No framegrabber is required. Advanced camera control is available through a complete Software Developer's Kit (SDK), with sample code available to quickly integrate camera functions into OEM applications.

Hardware and software based synchronization trigger is provided standard. Enclosed (Lu275), board-level (Lu270), and color variants available. Custom form factor (sizes) can also be provided.

All Lumenera products are supported by an experienced team of software developers and application engineers. We understand your imaging needs and are here to help you with your integration and development.

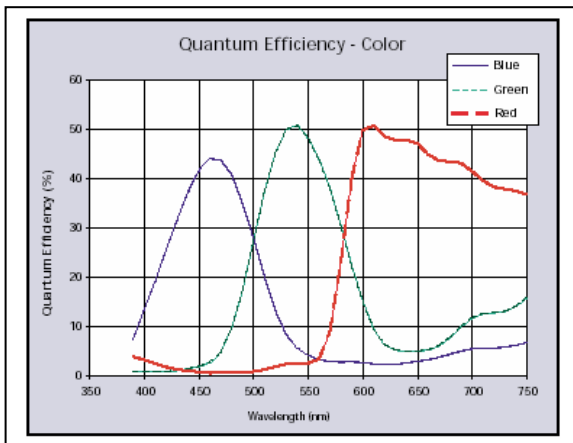
Performance Features

- Lower fixed pattern noise
- Color, progressive scan, 2.0 megapixel Image sensor
- 20 fps at full 1600x1200 resolution
50 fps at 800x600
- Faster frame rates with reduced region of interest
- Auto white balance
- Snapshot mode for use with strobe
- GPIOs for control of peripherals and synchronization of lighting (4in/4out)
- FCC Class B, CE Ready
- RGB Bayer video output
- Select 8 or 10-bit pixel data
- Simplified cabling - video, power and full camera control over a single USB cable
- C-Mount provided
- DirectShow compatible
- USB cameras are software compatible with Windows™ 98 SE, Windows ME, Windows 2K, Windows XP, and Windows Vista operating systems
- Complete SDK available
- Full one (1) year warranty

Specifications

Lu270/Lu275

Image Sensor	1/2" format, color, 6.7mm x 5.0mm array
Effective Pixels	1600x1200, 4.2µm square pixels
Frame Rate	20 fps at 1600x1200, 50 fps at 640x480
Sensitivity	High
Dynamic Range	60dB
Auto Exposure	Automatic / Manual
White Balance	Automatic / Manual
Dimensions (W x H x D)	2.00 x 2.50 x 1.63 inches (board level) 2.25 x 3.85 x 1.56 inches (enclosed)
Mass	~150g / 300g with enclosure
Power Requirement	USB bus power, or external 6VDC, 500mA
Power Consumption	~3.0 Watts
Operating Temperature	0°C to +50°C
Operating Humidity	5% - 95%, Non-condensing
Interface Connector	Standard USB
Lens Mount (Lens not included)	C-Mount (CS-Mount option)



Ordering Information

Lu270C	- Color Camera Module
Lu275C	- Enclosed Color Camera
LuSDK	- Software Developer's Kit

Full customization available to meet your exact needs!

Available Options:

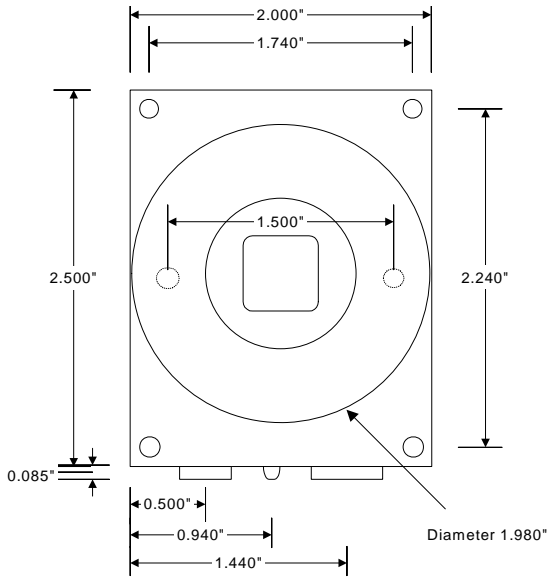
Without Standard IR-Cut Filter
Without Glass
Without Mount
Board Level
Adjustable CS-Mount

Contact us for more specific details.

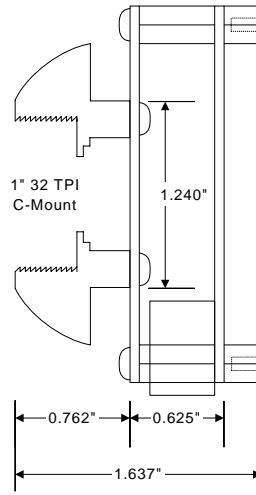
Mechanicals

Lu270/Lu275

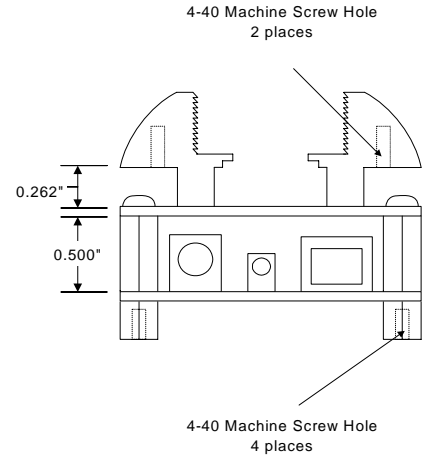
OEM Board-Level Camera



Front



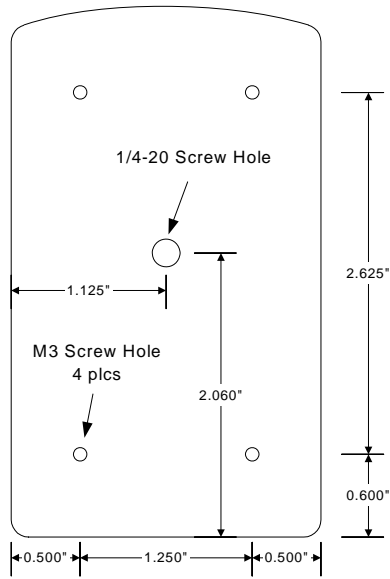
Side



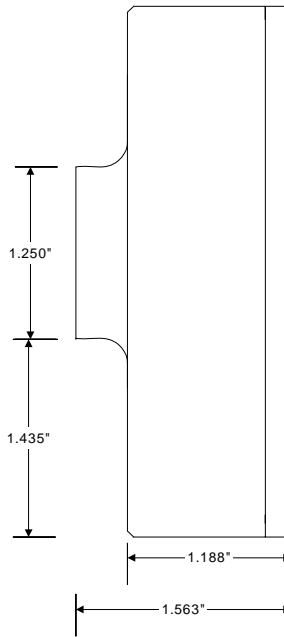
Bottom

Enclosed Camera *

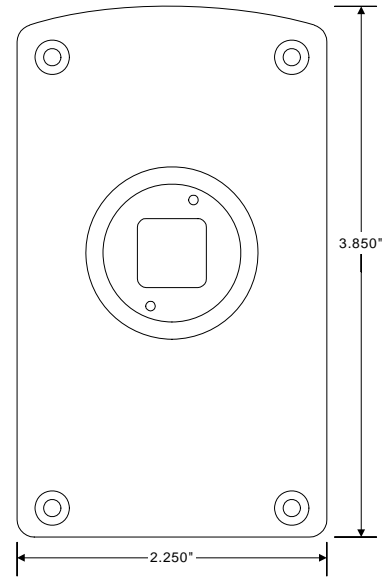
Back



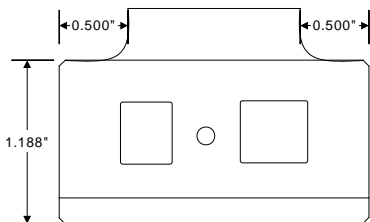
Side



Front



Bottom



* Anodized aluminum, std color - black