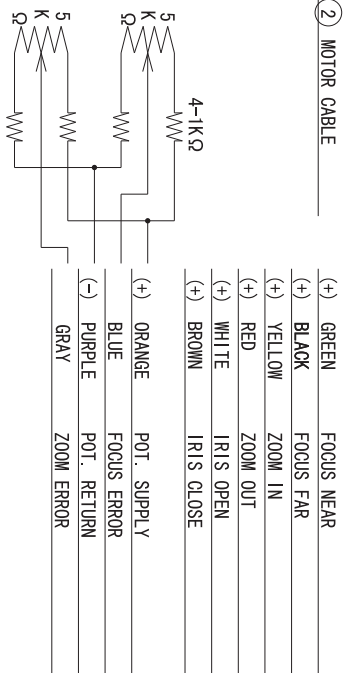


SPECIFICATION

SPECIFICATION		FOR 1/3" COLOR B/W CAMERA	
1. USE		FOR 1/3" COLOR B/W CAMERA	
2. FOCAL LENGTH		f=5.6 ~ 112mm	
3. IRIS RANGE		F= 1.6 ~ CLOSE	
4. IMAGE SIZE		φ 6 (4.8x3.6)	
5. BACK FOCAL LENGTH		8.97 mm in air	
6. FLANGE FOCAL LENGTH		12.5 mm in air	
7. FOCUS RANGE		∞ ~ 1.5m	
8. FIELD ANGLE	DIA.	(W)	59.4 ° (T) 3.18 °
	HQL.		47.6 °
9. FIELD OF VIEW AT M.O.D.	VER.		35.7 °
	DIA.		1.92 °
9. FIELD OF VIEW AT M.O.D.	HQL.		1.605 mm
	DIA.		1.254 mm
10. DISTORTION	HQL.		80.4 mm
	VER.		925 mm
10. DISTORTION			-2.9 %
11. LENS CONSTRUCTION		12 GROUPS	14 ELEMENTS
12. CLEAR APERTURE	FRONT	φ 49	REAR φ 11.8
13. EXIT PUPIL POSITION		113 mm	(format)
14. WEIGHT		550 g	(570 g)

② MOTOR CABLE



4-20 UNC
Tripod screw

F1.6/5.6~112mm

LMZ200M3

LMZ200M3P