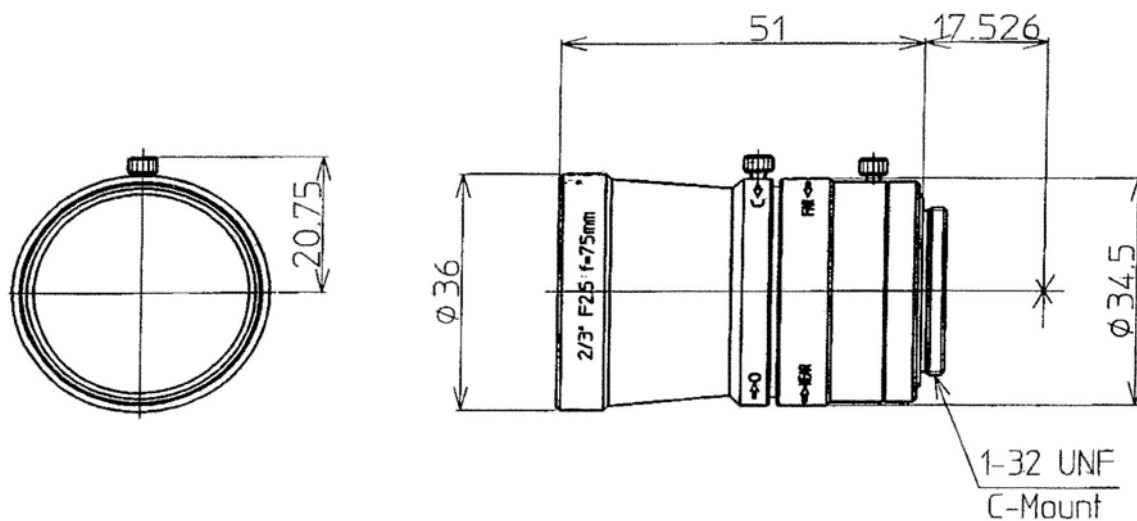


# LM75JC



Focal Length (mm)		f = 75mm		
Relative Aperture		F = 1 : 2.5		
Format Size		2/3"	1/2"	1/3"
Image Size		6.6 x 8.8 mm	4.8 x 6.4 mm	4.8 x 3.6 mm
Angular Field of View	Diagonal	8.3°	6.1°	4.6°
	Horizontal	6.7°	4.9°	3.7°
	Vertical	5.0°	3.7°	2.8°
Distortion		-0.1%	-0.08%	-0.05%
Field of View at Minimum Object Distance	Diagonal	63.5 mm	46.2 mm	34.7 mm
	Horizontal	50.8 mm	37.0 mm	27.7 mm
	Vertical	38.1 mm	27.7 mm	20.4 mm
Lens Construction		5 Groups	5 Elements	
Minimum Focus Distance		0.5 m		
Flange Focal Length		17.526 mm in air		
Back Focal Length		18.0 mm in air		
Filter Size		M34.0 x 0.5		
Clear Apertur	Front	φ30.2 mm		
	Rear	φ12.4 mm		
Mount		C-Mont		
Exit Pupil Position		-38.9 mm		
Operating Temperature Range		-10°C ~ +45°C		
Storage Temperature Range		-40°C ~ +60°C		
Resolution	Center	100 lines/mm		
	Corner	40 lines/mm		