

HG4018FCS

36mm F1.8

for 1/2" format camera

CS-Mount

with Focus, w/o Amplifier

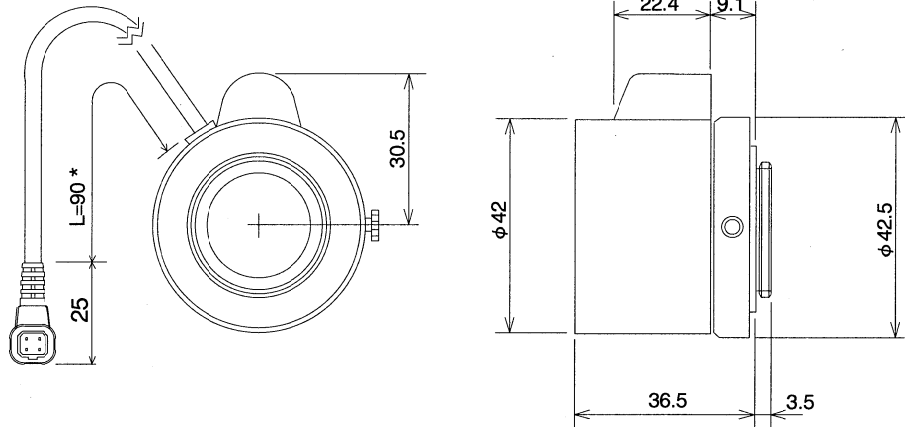
Model No.	HG4018FCS	Effective	Front	φ 19.0 mm
Focal Length	36 mm	Lens Aperture	Rear	φ 8.6 mm
Max. Aperture Ratio	1:1.8	Back Focal Length		9.6 mm
Max. Image Format	6.4×4.8 mm (φ 8 mm)	Flange Back Length		12.5 mm
Operation	Iris	F1.8~125	Mount	CS-Mount
		(by galvano control)	Filter Size	M40.5×0.5 mm
	Focus	Manual,[1.1m~Inf.]	Dimensions	φ 42.0×51.5×36.5 mm
Object Dimension at M.O.D.	14×20 cm	Weight		70 g
Angle of View	D	13.4°		
	H	10.6°		
	V	7.6°		
Coil	Drive	190 ohm		
	Control	1000 ohm		
Operating Temperature	-20° C~+50° C			

1/2

CS

M.O.D. : Minimum Object Distance

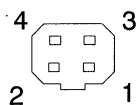
Dimensions



* : 310 mm cable is available

AG

Wiring Diagram



Pin No.

1	Brow	Control (-)
2	Red	Control (+)
3	Yellow	Drive (+)
4	Orange	Drive (-)