

HG3808FCS-HSP

3.8mm F0.8 Aspherical lens
for 1/2" format camera
CS-Mount

with Focus , W/O Amplifier

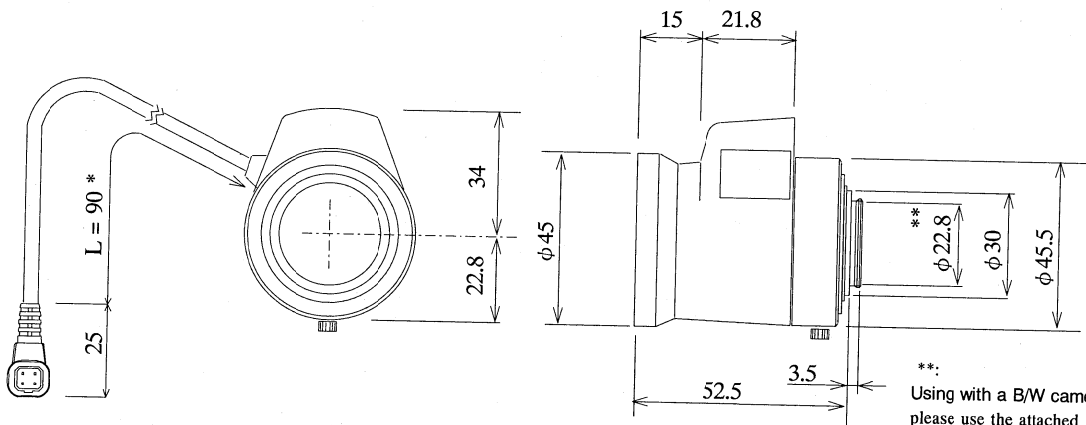
Model No.	HG3808FCS-HSP		Effective	Front	φ 27.2 mm	
Focal Length	3.8 mm		Lens Aperture	Rear	φ 16.6 mm	
Max. Aperture Ratio	1:0.8		Back Focal Length	9.07 mm		
Max. Image Format	6.4×4.8 mm (φ 8 mm)		Flange Back Length	12.5 mm		
Operation	Iris	F0.8~360 (by galvano control)	Mount	CS-Mount		
	Focus	Manual,[0.15m~Inf.]	Filter Size	M43 P=0.75mm		
Object Dimension at M.O.D.	29.6×20.5 cm		Dimensions	φ 45.0×56.8×52.5 mm		
Angle of View	D	107.7°	Weight	150 g		
	H	89.2°		1/3"	84.3°	
	V	68.6°			68.6°	
Coil	Drive	190 ohm				
	Control	1000 ohm				
Operating Temperature	-20° C~+50° C					

1/2

CS

M.O.D. : Minimum Object Distance

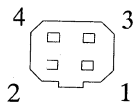
Dimensions



AG

* : 310 mm cable is available

Wiring Diagram



Pin No.

1	Brown	Control (-)
2	Red	Control (+)
3	Yellow	Drive (+)
4	Orange	Drive (-)

**:
Using with a B/W camera,
please use the attached
"B/W aberration compen-
sation Filter" and
"FB compensation Spacer".
The filter (M22 p=0.5mm)
should be screwed onto
the lens from rear side
and the spacer should be
placed between lens and
camera.