

HG2610FCS-HSP

2.6mm F1.0 Aspherical lens

for 1/2" format camera

CS-Mount

with Focus , W/O Amplifier

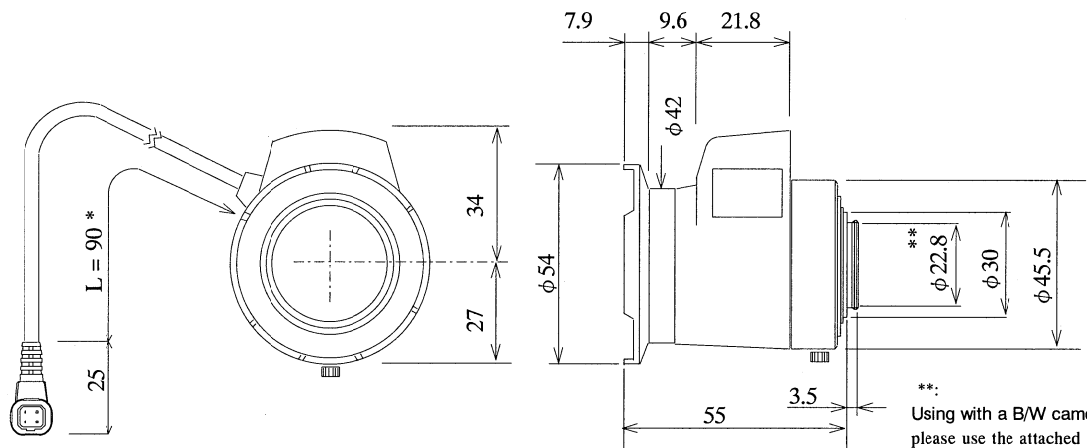
Model No.	HG2610FCS-HSP		Effective	Front	φ 30.0 mm
Focal Length	2.6 mm		Lens Aperture	Rear	φ 13.7 mm
Max. Aperture Ratio	1:1.0		Back Focal Length	8.5 mm	
Max. Image Format	6.4×4.8 mm (φ8 mm)		Flange Back Length	12.5 mm	
Operation	Iris	F1.0~360 (by galvano control)	Mount	CS-Mount	
	Focus	Manual,[0.1m~Inf.]	Filter Size	-	
Object Dimension at M.O.D.	36.7×22.6 cm		Dimensions	φ54.0×61.0×55.0 mm	
Angle of View	D	143.5°	1/3"	116.8°	
	H	122.8°		97.1°	
	V	97.1°		75.0°	
Coil	Drive	190 ohm			
	Control	1000 ohm			
Operating Temperature	-20° C~+50° C				

1/2

CS

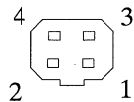
M.O.D. : Minimum Object Distance

Dimensions



* : 310 mm cable is available

Wiring Diagram



Pin No.

1	Brown	Control (-)
2	Red	Control (+)
3	Yellow	Drive (+)
4	Orange	Drive (-)

**:
Using with a B/W camera,
please use the attached
"B/W aberration compen-
sation Filter" and
"FB compensation Spacer".
The filter (M22 p=0.5mm)
should be screwed onto
the lens from rear side
and the spacer should be
placed between lens and
camera.

AG