

HG1208FCS-HSP

12mm F0.8 Aspherical lens

for 1/2" format camera

CS-Mount

with Focus , W/O Amplifier

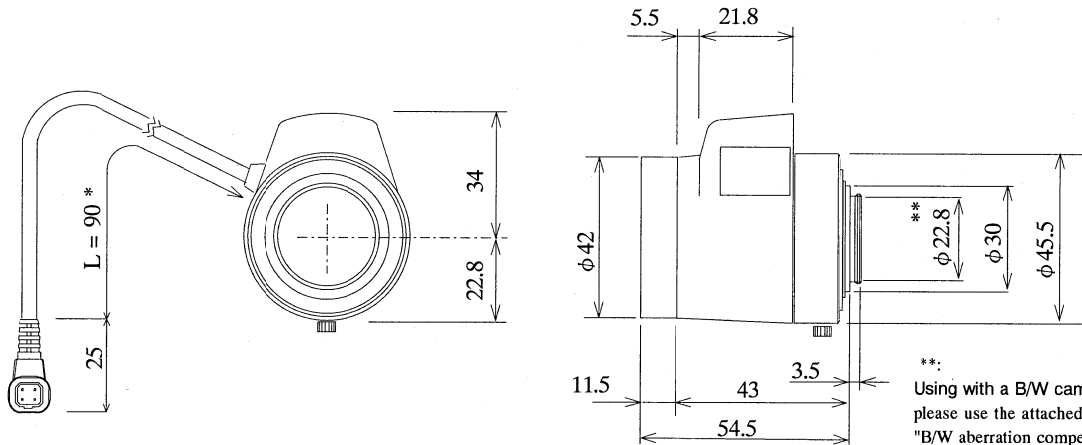
Model No.	HG1208FCS-HSP		Effective	Front	φ 27.8 mm
Focal Length	12 mm		Lens Aperture	Rear	φ 16.4 mm
Max. Aperture Ratio	1:0.8		Back Focal Length	9.3 mm	
Max. Image Format	6.4×4.8 mm (φ8 mm)		Flange Back Length	12.5 mm	
Operation	Iris	F0.8~360 (by galvano control)	Mount	CS-Mount	
	Focus	Manual,[0.45m~Inf.]	Filter Size	M40.5 P=0.5mm	
Object Dimension at M.O.D.	25.1×18.8 cm		Dimensions	φ42.0×56.8×54.5 mm	
Angle of View	D	38.6°	1/3"	29.3°	
	H	31.2°		23.6°	
	V	23.6°		17.7°	
Coil	Drive	190 ohm			
	Control	1000 ohm			
Operating Temperature	-20° C~+50° C				

1/2

CS

M.O.D. : Minimum Object Distance

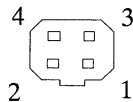
Dimensions



* : 310 mm cable is available

**:
Using with a B/W camera,
please use the attached
"B/W aberration compen-
sation Filter" and
"FB compensation Spacer".
The filter (M22 p=0.5mm)
should be screwed onto
the lens from rear side
and the spacer should be
placed between lens and
camera.

Wiring Diagram



Pin No.

1	Brown	Control (-)
2	Red	Control (+)
3	Yellow	Drive (+)
4	Orange	Drive (-)

AG