

HG0808FCS-HSP

8mm F0.8 Aspherical lens

for 1/2" format camera

CS-Mount

with Focus , W/O Amplifier

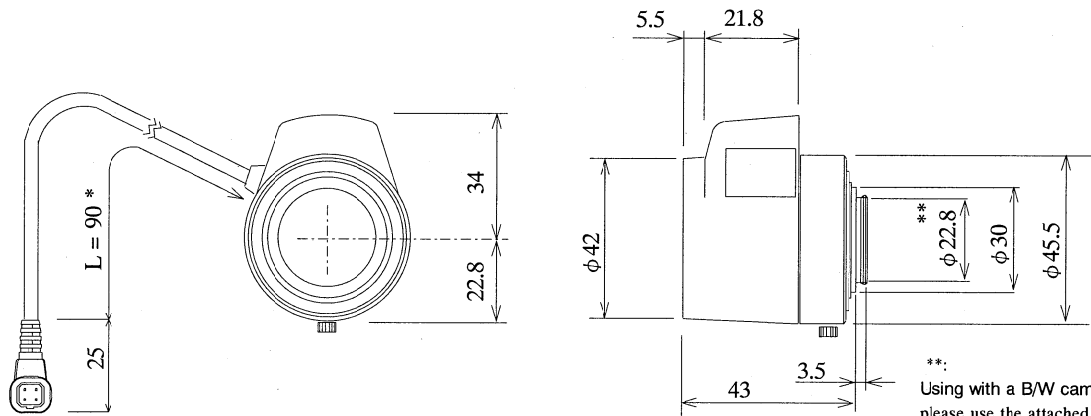
Model No.	HG0808FCS-HSP		Effective	Front	φ 28.0 mm
Focal Length	8 mm		Lens Aperture	Rear	φ 13.3 mm
Max. Aperture Ratio	1:0.8		Back Focal Length		9.6 mm
Max. Image Format	6.4×4.8 mm (φ 8 mm)		Flange Back Length		12.5 mm
Operation	Iris	F0.8~360 (by galvano control)	Mount		CS-Mount
	Focus	Manual,[0.3m~Inf.]	Filter Size		M40.5 P=0.5mm
Object Dimension at M.O.D.		24.8×18.3 cm	Dimensions		φ 42.0×56.8×43.0 mm
			Weight		120 g
Angle of View	D	55.1°			
	H	44.9°	1/3"	34.0°	
	V	34.0°			
Coil	Drive	190 ohm			
	Control	1000 ohm			
Operating Temperature		-20° C~+50° C			

1/2

CS

M.O.D. : Minimum Object Distance

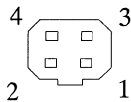
Dimensions



AG

* : 310 mm cable is available

Wiring Diagram



Pin No.

1	Brown	Control (-)
2	Red	Control (+)
3	Yellow	Drive (+)
4	Orange	Drive (-)

**:
Using with a B/W camera,
please use the attached
"B/W aberration compen-
sation Filter" and
"FB compensation Spacer".
The filter (M22 p=0.5mm)
should be screwed onto
the lens from rear side
and the spacer should be
placed between lens and
camera.