

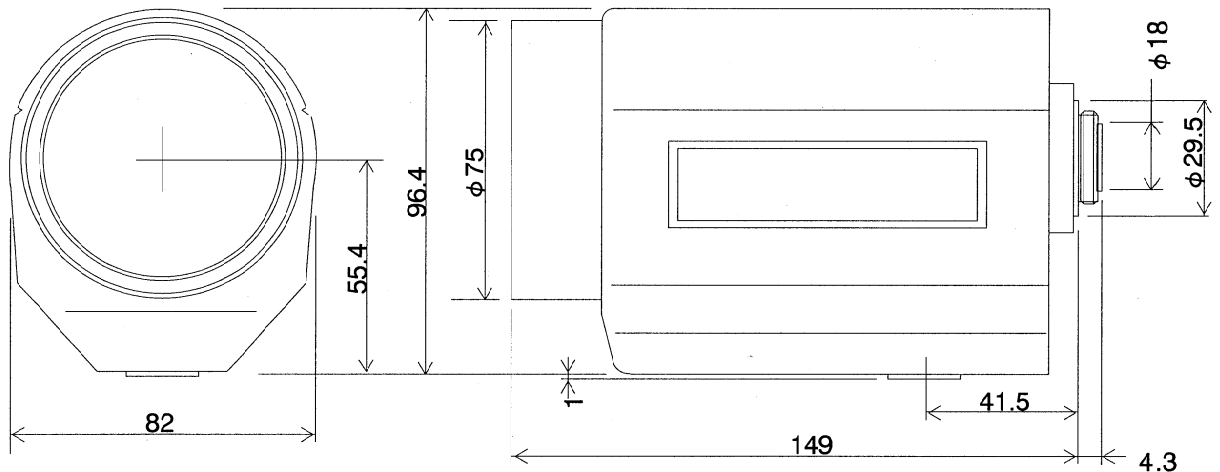
## H16Z7516MS

16X 7.5~120 mm F1.6  
for 1/2" format cameras  
C-Mount

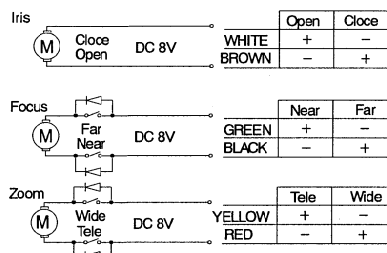
<b>Model No.</b>	H16Z7516MS		<b>Effective</b>	<b>Front</b>	φ66.4 mm
<b>Focal Length</b>	7.5~120 mm		<b>Lens Aperture</b>	<b>Rear</b>	φ13.5 mm
<b>Max. Aperture Ratio</b>	1:1.6		<b>Back Focal Length</b>	14.00 mm	
<b>Max. Image Format</b>	6.4×4.8 mm (φ8 mm)		<b>Flange Back Length</b>	17.526mm	
<b>Operation</b>	<b>Iris</b>	Motorized, F1.6~560C	<b>Mount</b>	C-Mount	
	<b>Focus</b>	Motorized, 1.5m~Inf.	<b>Filter Size</b>	M72 P=0.75 mm	
	<b>Zoom</b>	Motorized, 7.5~120 mm	<b>Tripod Screw</b>	1/4"-20UNC	
<b>Object Dimension at M.O.D.</b>	<b>7.5 mm</b>	129.2×95.5 cm	<b>Dimension</b>	W82 x H97.4 x D149 mm	
	<b>120mm</b>	8.4 × 6.3 cm		<b>Weight</b>	1060 g
<b>Angle of View</b>	<b>D</b>	57.2° ~ 3.9°		43.8° ~ 3.0°	
	<b>H</b>	1/2" 46.6° ~ 3.2°		1/3" 35.3° ~ 2.4°	
	<b>V</b>	35.3° ~ 2.4°		26.6° ~ 1.8°	
<b>Control</b>	<b>Iris</b>		<b>Focus</b>		<b>Zoom</b>
	<b>Supply Voltage</b>	DC 8 V	DC 8 V		DC 8 V
	<b>Current</b>	30 mA or less	45 mA or less		35 mA or less
	<b>Transit Time</b>	Approx. 1.5 sec.	Approx. 3.5 sec.		Approx. 3.5 sec.
<b>Operating Temperature</b>	-10° C ~ +50° C				

M.O.D. : Minimum Object Distance

### Dimensions



### Wiring Diagram



Remarks: Connect together with Brown (Iris), Black (Focus) and Red (Zoom) for common system when necessary.