

H16Z7516M

16X 7.5~120 mm F1.6
for 1/2" format cameras
C-Mount

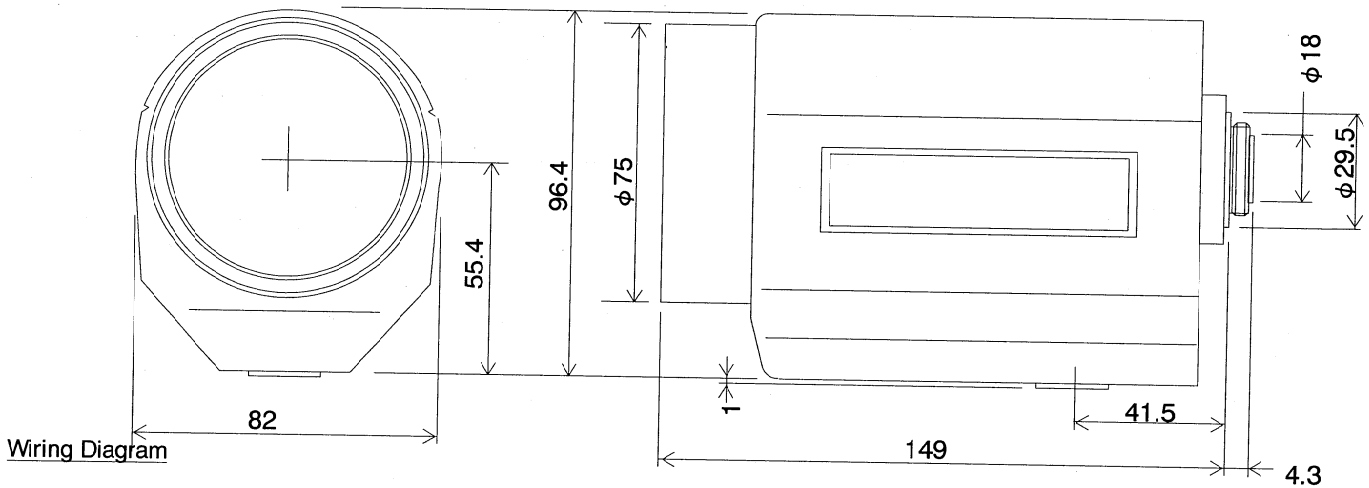
Model No.	H16Z7516M		Effective	Front	φ66.4 mm
Focal Length	7.5~120 mm		Lens Aperture	Rear	φ13.5 mm
Max. Aperture Ratio	1:1.6		Back Focal Length	14.00 mm	
Max. Image Format	6.4×4.8 mm (φ8 mm)		Flange Back Length	17.526 mm	
Operation	Iris	Motorized, F1.6~22C	Mount	C-Mount	
	Focus	Motorized, 1.5m~Inf.	Filter Size	M72 P=0.75 mm	
	Zoom	Motorized, 7.5~120 mm	Tripod Screw	1/4"-20UNC	
Object Dimension at M.O.D.	7.5 mm	129.2×95.5 cm	Dimension	W82 x H97.4 x D149 mm	
	120 mm	8.4 × 6.3 cm		Weight	1060 g
Angle of View	D	57.2° ~ 3.9°	1/3"	43.8° ~ 3.0°	
	H	46.6° ~ 3.2°		35.3° ~ 2.4°	
	V	35.3° ~ 2.4°		26.6° ~ 1.8°	
Control	Iris		Focus		Zoom
	Supply Voltage	DC 8 V	DC 8 V		DC 8 V
	Current	30 mA or less	45 mA or less		35 mA or less
	Transit Time	Approx. 1.5 sec.	Approx. 3.5 sec.		Approx. 3.5 sec.
Operating Temperature	-10° C ~ +50° C				

1/2

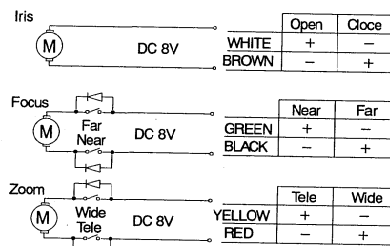
C

M.O.D. : Minimum Object Distance

Dimensions



ZM



Remarks: Connect together with Brown (Iris), Black (Focus) and Red (Zoom) for common system when necessary.