

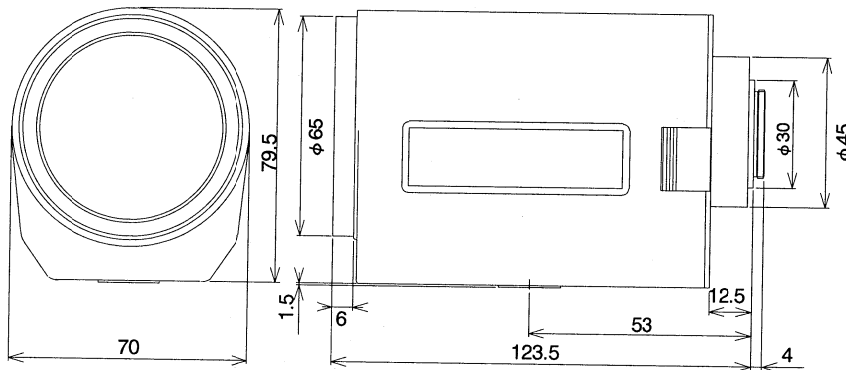
## H10Z0812MS

10X 8~80 mm F1.2  
for 1/2" format cameras  
C-Mount

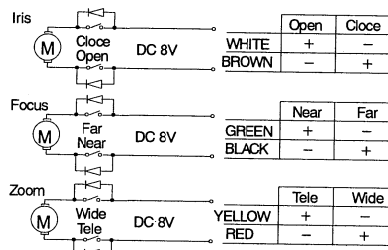
<b>Model No.</b>	H10Z0812MS		<b>Effective</b>	<b>Front</b>	φ 54.0 mm
<b>Focal Length</b>	8~80 mm		<b>Lens Aperture</b>	<b>Rear</b>	φ 14.0 mm
<b>Max. Aperture Ratio</b>	1:1.2		<b>Back Focal Length</b>	15.3 mm	
<b>Max. Image Format</b>	6.4×4.8 mm (φ 8 mm)		<b>Flange Back Length</b>	17.526 mm	
<b>Operation</b>	<b>Iris</b>	Motorized, F1.2~560C	<b>Mount</b>	C-Mount	
	<b>Focus</b>	Motorized, 1.5m~Inf.	<b>Filter Size</b>	M62×0.75 mm	
	<b>Zoom</b>	Motorized, 8~80 mm	<b>Tripod Screw</b>	1/4"-20UNC	
<b>Object Dimension at M.O.D.</b>	<b>8 mm</b>	124.8×92.5 cm	<b>Dimensions</b>	W70×H79.5×D123.5mm	
	<b>80mm</b>	17.6×14.4 cm		<b>Weight</b>	635 g
<b>Angle of View</b>	<b>D</b>	54.3° ~5.8°			
	<b>H</b>	44.0° ~4.7°			
	<b>V</b>	33.3° ~3.5°			
<b>Control</b>	<b>Iris</b>		<b>Focus</b>		<b>Zoom</b>
<b>Supply Voltage</b>	DC 8 V		DC 8 V		DC 8 V
<b>Current</b>	20 mA or less		40 mA or less		35 mA or less
<b>Transit Time</b>	Approx. 4 sec.		Approx. 4 sec.		Approx. 4 sec.
<b>Operating Temperature</b>	-10° C~+50° C				

M.O.D. : Minimum Object Distance

### Dimensions



### Wiring Diagram



Remarks: Connect together with Brown (Iris), Black (Focus) and Red (Zoom) for common system when necessary.