

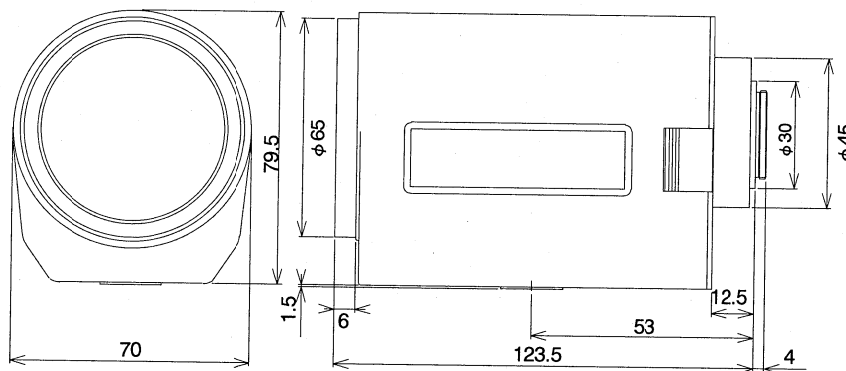
H10Z0812M

10X 8~80 mm F1.2
for 1/2" format cameras
C-Mount

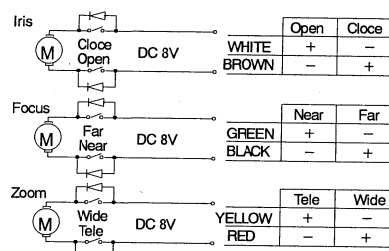
Model No.	H10Z0812M		Effective	Front	φ54.0 mm
Focal Length	8~80 mm		Lens Aperture	Rear	φ14.0 mm
Max. Aperture Ratio	1:1.2		Back Focal Length		15.3 mm
Max. Image Format	6.4×4.8 mm (φ8 mm)		Flange Back Length		17.526 mm
Operation	Iris	Motorized, F1.2~22C	Mount		C-Mount
	Focus	Motorized, 1.5m~Inf.	Filter Size		M62×0.75 mm
	Zoom	Motorized, 8~80 mm	Tripod Screw		1/4"-20UNC
Object Dimension at M.O.D.	8 mm	124.8×92.5 cm	Dimensions		W70×H79.5×D123.5mm
	80mm	17.6×14.4 cm	Weight		635 g
Angle of View	D	54.3° ~5.8°			
	H	44.0° ~4.7°			
	V	33.3° ~3.5°			
Control	Iris		Focus		Zoom
	Supply Voltage	DC 8 V	DC 8 V		DC 8 V
	Current	20 mA or less	40 mA or less		35 mA or less
	Transit Time	Approx. 4 sec.	Approx. 4 sec.		Approx. 4 sec.
Operating Temperature	-10° C ~ +50° C				

M.O.D. : Minimum Object Distance

Dimensions



Wiring Diagram



Remarks: Connect together with Brown (Iris), Black (Focus) and Red (Zoom) for common system when necessary.

Subject to change without notice

Printed in Japan

Mar. '97