



For Security
Day & Night

Applicable camera (model)

H22x11.5R2D-QP1

1	2/3	1/2	1/3	1/4
---	-----	-----	-----	-----

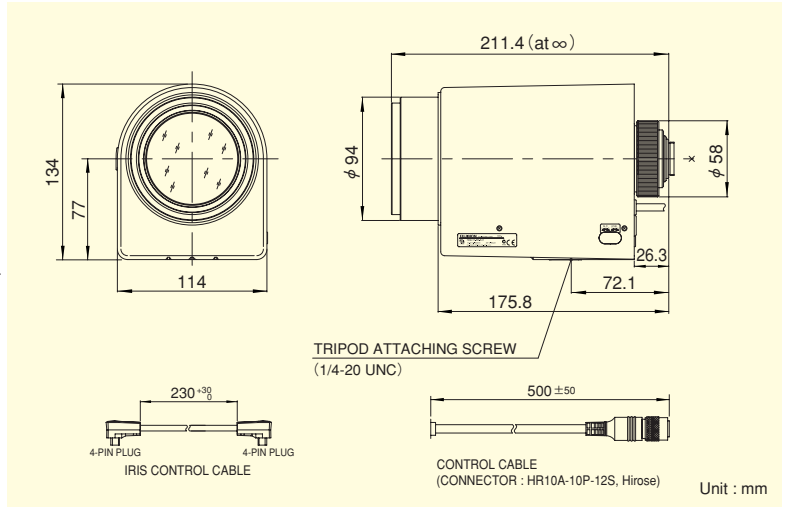
ZOOM Zoom	WIDE Wide Angle	TELE Telephoto Long Focal	MOTOR DRIVE Motor Drive	Day~Night Day & Night	VIDEO Video Auto Iris	C-mt C Mount
METAL Metal Mount	PC PC Control	ND ND Filter	F1.6 Wide Aperture Rate			

22x



※Photograph is a similar model.

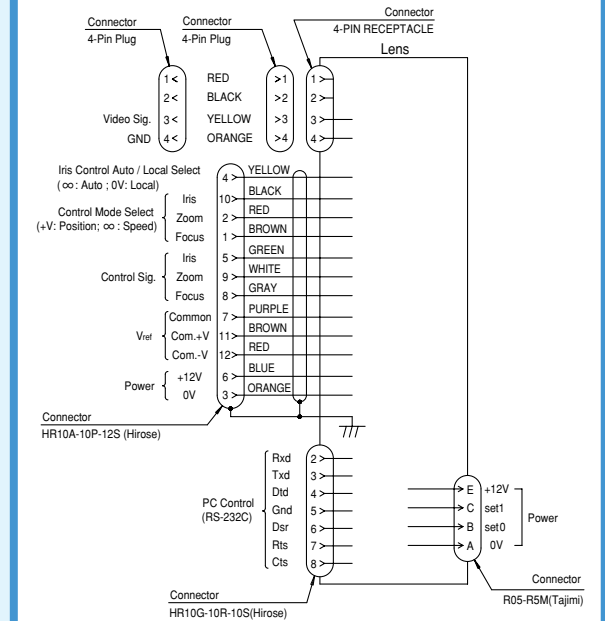
- 22x telephoto zoom lens with the near-infrared wavelength select mechanism for day and night cameras
- Achieved telephoto at the field angle of 1°27', best suited for long-distance monitoring such as disaster prevention (when used on 1/2" cameras)
- Equipped with RS-232C, enabling the advanced control
- Compatible with a wide range - 2/3", 1/3" and 1/3" - cameras



DAY & NIGHT LENSES

Focal Length (mm)		11.5~253 (22x)	
Iris Range		F1.6 ~ T2000 (Equivalent to F2000)	
Operation	Zoom	Servo Control	
	Focus	Servo Control	
	Iris	Auto (Video Type) or Servo Control	
Angle Of View (H×V)	2/3"	WIDE	41°52' × 32°01'
		TELE	2° × 1°30'
	1/2"	WIDE	31°06' × 23°34'
		TELE	1°27' × 1°05'
	1/3"	WIDE	23°34' × 17°47'
		TELE	1°05' × 0°49'
Focusing Range (From Front Of The Lens) (m)		∞ ~ 3	
Object Dimensions at M.O.D. (H×V) (mm)	2/3"	WIDE	2213 × 1660
		TELE	101 × 75
	1/2"	WIDE	1609 × 1207
		TELE	73 × 55
	1/3"	WIDE	1207 × 905
		TELE	55 × 41
Back Focal Distance (in air) (mm)		36.16	
Exit Pupil Position (From Image Plane) (mm)		-103	
Filter Thread (mm)		M82 × 0.75	
Mount		C	
Mass (g)		2.5	
Standard Accessories		Iris Control Cable	
Remarks		• With Metal Mount	

Wiring



Near-infrared wavelength selected

