



**For Surveillance**  
Telephoto Zoom

Applicable camera (model)

**D60×12.5BE-V41**

1	2/3	1/2	1/3	1/4
---	-----	-----	-----	-----

60x

NEW

**ZOOM**  
Zoom

**WIDE**  
Wide Angle

**TELE**  
Telephoto Long Focal

**MOTOR DRIVE**  
Motor Drive

**VIDEO**  
Video Auto Iris

**IRIS-REMOTE**  
Iris Remote

**C-mt**  
C Mount

**METAL**  
Metal Mount

**ND**  
ND Filter

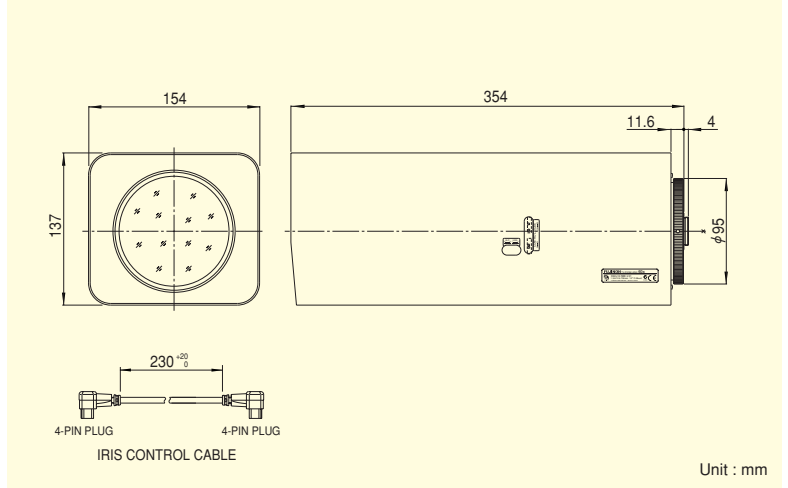
**2x**  
Extender

**F3.8**  
Wide Aperture Rate



\*Photograph is a similar model.

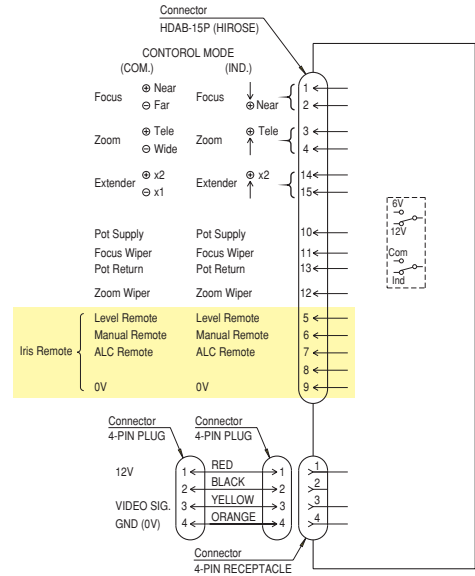
- Offering F3.8 brightness and 60x zoom (focal length of 1500mm when used with an extender), these lenses are suited for long-range surveillance, such as for seaport security.
- The compact and lightweight design allows establishment of compact remote surveillance systems.
- Equipped with a 2x extender that provides clear identification of individuals activities at a distance of 3km.
- Multi-power compatibility for connection to existing surveillance systems for zoom operation.
- Iris Override function allows manual iris adjustment.



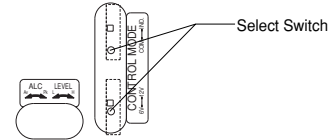
Unit : mm

		1x	2x
Focal Length (mm)		12.5~750 (60x)	25~1500 (60x)
Iris Range		F3.8~T3000 (Equivalent to F3000)	F7.6~T3000 (Equivalent to F3000)
Operation	Zoom	Motor Drive	
	Focus	Motor Drive	
	Iris	Auto (Video Type) or Remote	
Angle Of View (HXV)	1/2"	WIDE	28°43' × 21°44'
		TELE	0°29' × 0°22'
	1/3"	WIDE	21°44' × 16°23'
		TELE	0°22' × 0°17'
	1/4"	WIDE	16°23' × 12°20'
		TELE	0°17' × 0°08'
Focusing Range (From Front Of The Lens) (m)		∞ ~ 5	∞ ~ 5
Object Dimensions at M.O.D. (HXV) (mm)	1/2"	WIDE	2465 × 1849
		TELE	41 × 35
	1/3"	WIDE	1849 × 1837
		TELE	31 × 23
	1/4"	WIDE	1387 × 1040
		TELE	23 × 17
Back Focal Distance (in air) (mm)		53.23	53.23
Exit Pupil Position (From Image Plane) (mm)		-64	-64
Filter Thread (mm)		M107×1	
Mount		C	
Extender		2x	
Mass (kg)		5.1	
Standard Accessories		Iris Control Cable Connection Connector	
Remarks		• With Metal Mount	

**Wiring**



**Control Mode (Side View)**



Factory Setting : 12V / IND.

Controller output	Select switch position
6V	6V / IND.
±6V	6V / COM.
12V	12V / IND.
±12V	12V / COM.