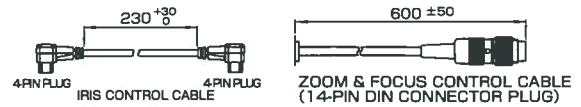
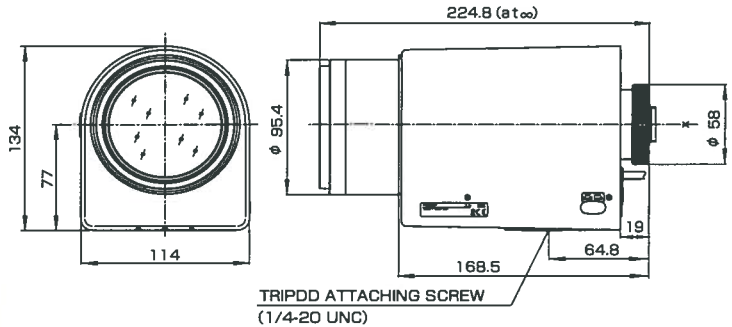


HD Zoom (320mm/500mm 1.3M)

D32x10HR4D Series

32x Applicable Type 1 2/3 1/2 1/3 1/4

D32x15.6HR4D Series



ZOOM MOTOR DRIVE TELE WIDE DC VIDEO IRIS-REMOTE C-mt METAL PRESET ND RoHS
 -YE1 -V41 -V41

Unit : mm

	D32x10HR4D-V41	D32x10HR4D-YE1	D32x15.6HR4D-V41	D32x15.6HR4D-YE1
Focal Length (mm)	10 - 320 (32x)		15.6 - 500 (32x)	
Iris Range	F2.5 - T1500 (Equivalent to F1500)		F3.9 - T1500 (Equivalent to F1500)	
Operation	Zoom	Motor Drive		Motor Drive
	Focus	Motor Drive		Motor Drive
	Iris	Auto (Video Type) or Remote ^{*1*}	Auto (DC Type) ^{*1}	Auto (Video Type) or Remote ^{*1*}
Angle of View (HxV) (4:3)	1/2"	WIDE	35°29'x26°59'	23°11'x17°30'
		TELE	1°09'x0°52'	0°44'x0°33'
Angle of View (HxV) (16:9)	1/2"	WIDE	38°26'x22°11'	25°11'x14°19'
		TELE	1°15'x0°42'	0°48'x0°27'
Focus Range (From the Lens Front) (m)	∞ - 3			
Object Dimensions at M.O.D.(HxV) (4:3) (mm)	1/2"	WIDE	1746 x 1310	1152 x 864
		TELE	57 x 43	37 x 28
Object Dimensions at M.O.D. (HxV) (16:9) (mm)	1/2"	WIDE	1890 x 1086	1253 x 709
		TELE	62 x 35	41 x 23
Back Focal Distance (In air) (mm)	22.70		44.92	
Exit Pupil Position (From Image Plane) (mm)	- 53		- 75	
Filter Thread (mm)	M82 x 0.75		M82 x 0.75	
Mass (kg)	2.5		2.7	
Wiring Diagram	See P. 19	See P. 19	See P. 19	See P. 19

*1: The Iris automatically closes when the camera is turned off.
 *2: For details on the Iris-Remote connection, see the relevant Technical Reference (Page 23).

Vari-Focal · HD Vari-Focal (3M)
 Vari-Focal · HD Vari-Focal (1.3M)
 Fixed Focal · HD Fixed Focal (5M)
 Fish-eye
 Vari-Focal · 4
 Zoom
 Fixed Focal
 Zoom Lens Wiring
 Technical Reference