



For Surveillance Telephoto Zoom

Applicable camera (model)

D32x10R4D-YE1

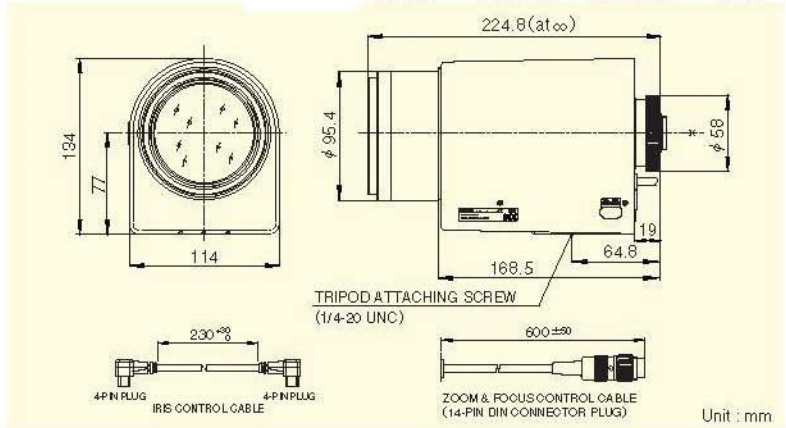
1	2/3	1/2	1/3	1/4
---	-----	-----	-----	-----

32x



ZOOM Zoom	WIDE Wide Angle	TELE Telephoto Long Focal	MOTOR DRIVE Motor Drive	Day~Night Day & Night	1.3 Mega For Megapixel Camera	DC DC Auto Iris
C-mt C Mount	METAL Metal Mount	PRESET Potentiometer	ND ND Filter			

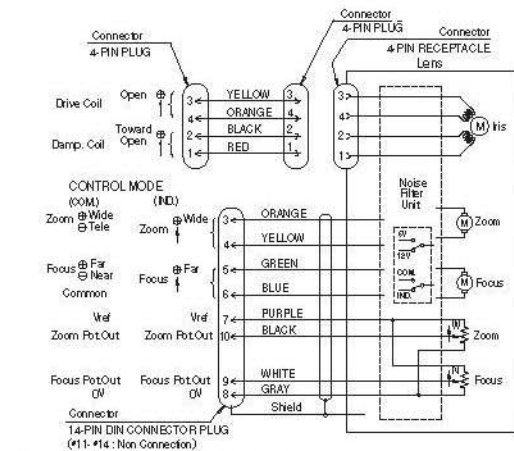
- Optically corrected 32x telephoto zoom lens best suited for day and night cameras.
- High-resolution design, providing support for up to 1.3 megapixel camera resolution.
- Realized a light and compact design for condensed system.
- Multi-power compatibility for connection to existing surveillance systems for zoom operation.



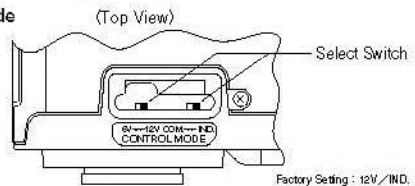
TELEPHOTO ZOOM LENSES

Focal Length (mm)		10~320 (32x)	
Iris Range		F2.5 ~ T1500 (Equivalent to F1500)	
Operation	Zoom	Motor Drive	
	Focus	Motor Drive	
Iris		Auto (DC Type) (*1)	
Angle Of View (HXV)	1/2"	WIDE	35°29' X 26°59'
		TELE	1°09' X 0°52'
	1/3"	WIDE	26°59' X 20°24'
		TELE	0°52' X 0°39'
	1/4"	WIDE	20°24' X 15°23'
		TELE	0°39' X 0°29'
Focusing Range (From Front Of The Lens) (m)		∞ ~ 3	
Object Dimensions at M.O.D. (HXV) (mm)	1/2"	WIDE	1746 X 1310
		TELE	57 X 43
	1/3"	WIDE	1310 X 982
		TELE	43 X 32
1/4"	WIDE	982 X 737	
	TELE	32 X 24	
Back Focal Distance (in air) (mm)		22.70	
Exit Pupil Position (From Image Plane) (mm)		-53	
Filter Thread (mm)		M82 X 0.75	
Mount		C	
Mass (kg)		2.5	
Standard Accessories		Iris Control Cable Connection Connector (14-pin)	
Remarks		• With Metal Mount (*1) When power is turned off, iris will automatically close.	

Wiring



Control Mode



Controller output	Select switch position
6V	6V/IND.
±6V	6V/COM.
12V	12V/IND.
±12V	12V/COM.

Accessories

Extender

Model	Magnification
HE15-1	1.5x
HE20-1	2x