

For Security

1/2" ZOOM

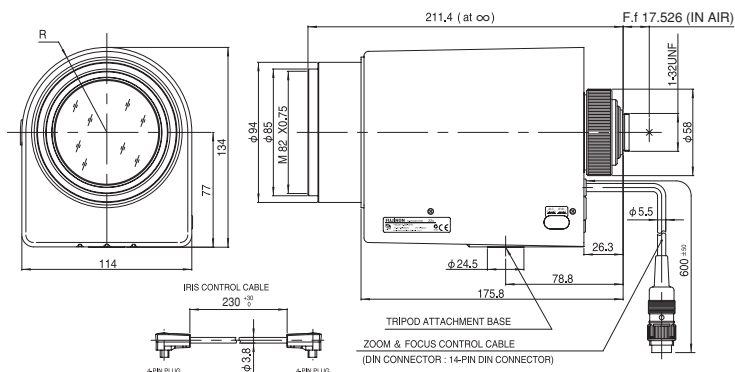
Electric Zoom
Preset
Auto Iris
Video Type

FUJINON CCTV LENS

D22×9.1B-Y41



※Photograph is a similar model.



Unit : mm

Model		D22 × 9.1B-Y41	
Focal Length		9.1mm ~ 200mm (22×)	
Iris Range		F1.2 ~ T1500 (Equivalent to F1500)	
Operation	Iris	Auto (Video Type)	
	Focus	Motor Drive	
	Zoom	Motor Drive	
Angle Of View (H × V)	1/2"	Wide	38°45' × 29°33'
		Tele	1°50' × 1°23'
	1/3"	Wide	29°33' × 22°23'
		Tele	1°23' × 1°02'
	1/4"	Wide	22°23' × 16°53'
		Tele	1°02' × 0°46'
Focusing Range (From Front Of The Lens)		∞ ~ 3m	
Object Dimensions at M.O.D. (H × V)	1/2"	Wide	2034mm × 1526mm
		Tele	93mm × 69mm
	1/3"	Wide	1526mm × 1144mm
		Tele	69mm × 52mm
	1/4"	Wide	1144mm × 858mm
		Tele	52mm × 39mm
Back Focal Distance (in air)		24.05mm	
Exit Pupil Position (From Image Plane)		-676mm	
Filter Thread		M82 × 0.75mm	
Mount		C Mount	
Mass		2.3kg	
Standard Accessories		Iris Control Cable	
Remarks		• With Metal Mount	

Wiring

Control Mode

Controller output	6V	±6V	12V	±12V
Select switch position	6V/IND.	6V/COM.	12V/IND.	12V/COM.

The switches have been set at 12V and IND respectively as shown left, at the factory.

Accessories		
	Model	Magnification
Extender	HE15-1	× 1.5
	HE20-1	× 2