

For Security

1/3" Zoom

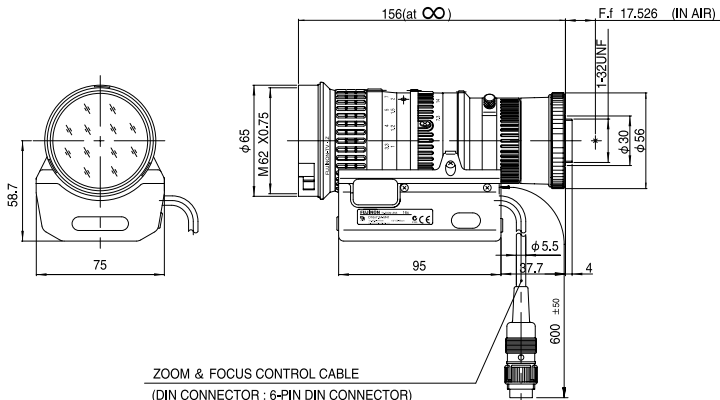
For 3CCD camera
Motor Drive

FUJINON CCTV LENS

T16×5.5DA-M41



※A photograph is a similar model.



Unit : mm

Model		T16 × 5.5DA-M41	
Focal Length		5.5mm ~ 88mm (16×)	
Iris Range		F1.4 ~ F1.6	
Operation	Iris	Motor Drive	
	Focus	Motor Drive	
	Zoom	Motor Drive	
ANGLE OF VIEW (H × V)	1/3"	Wide	47°09' × 36°15'
		Tele	3°34' × 2°41'
Focusing Range (From Front Of Lens)		∞ ~ 1m	
Object Dimensions at M.O.D. (H × V)	1/3"	Wide	819mm × 614mm
		Tele	59mm × 44mm
Back Focal Distance (in air)		14.79mm	
Filter Thread		M62 × 0.75mm	
Mount		C Mount	
Mass		900g	
Exit Pupil Position(from Image Plane)		251mm	
Standard Accessories		Conversion Cable (6-pin→4-pin) Connection Connector (4-pin) Connection Connector (6-pin)	

Wiring

コントロール出力	6V	±6V	12V	±12V
選択スイッチセット位置	6V/IND.	6V/COM.	12V/IND.	12V/COM.
変換ケーブル	不要	要	不要	要

工場出荷時は、左図のように12V/INDに設定してあります。

例. ±6Vコントロールの場合 (変換ケーブルの接続が必要)

Accessories

Control Box	Model	Output Voltage	Operation	Maximum Output Current	Output Connector	Power Source	Power Consumption (at 100V AC)	Mass
	CRD-2A	6V DC/12V DC	Zoom, Focus	0.2A	Mab 6100	100V/120V/220V/240V AC, 50/60Hz	15W	2.1kg
CRD-2B	±6V DC/±12V DC	Zoom, Focus	0.2A	Mab 4100	100V/120V/220V/240V AC, 50/60Hz	15W	2.1kg	
Power Cord	Japan	U.S.A./Canada	Continental Europe	Australia	Without AC Plug			
	PCA-1	PCA-2	PCA-3	PCA-4	PCA-5			
Extension Cable	10m	CRD-2A	CEC-AA102-11		CRD-2B	CEC-AB102-11		
	20m		CEC-AA202-11			CEC-AB102-11		