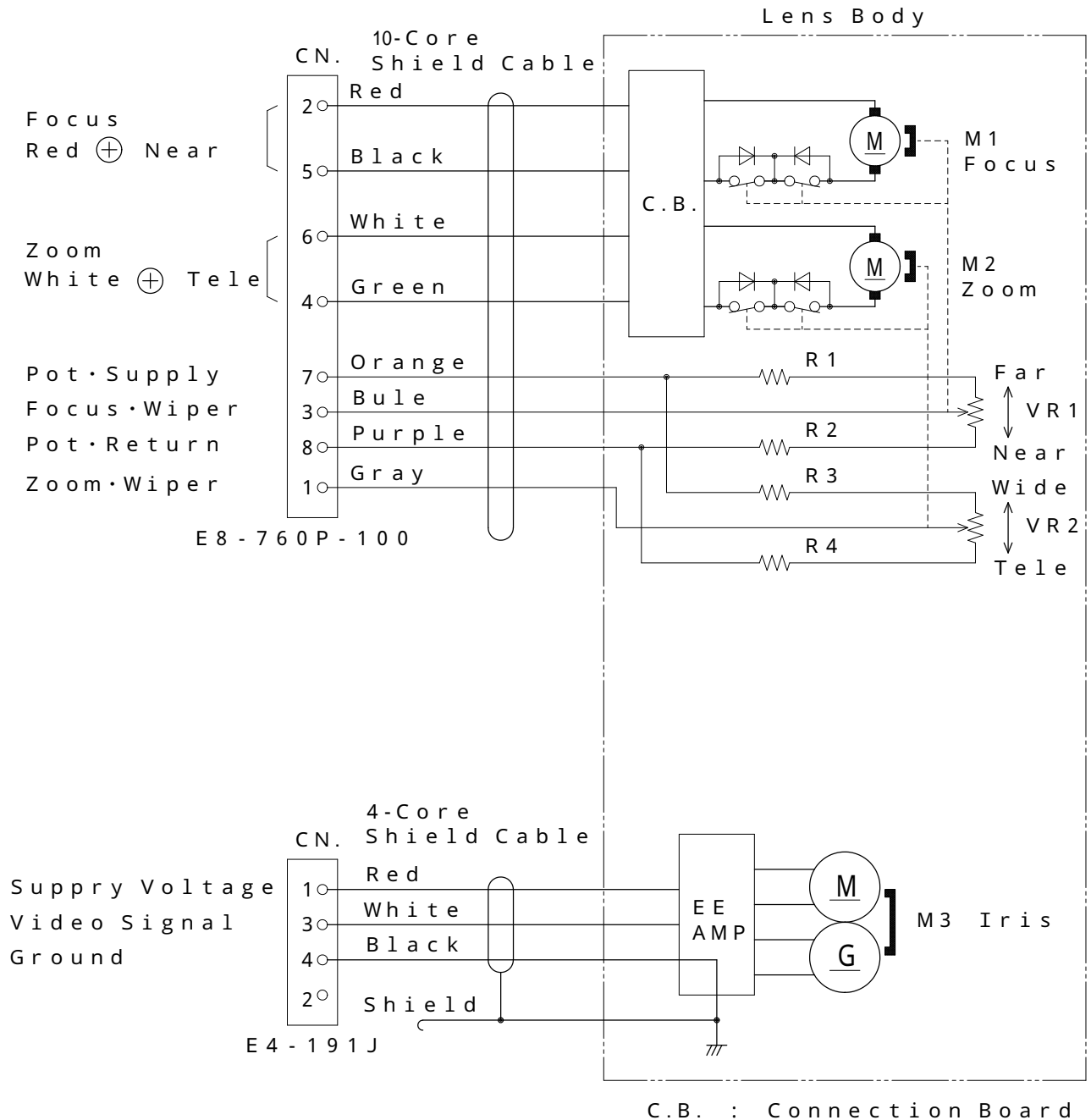


SPEC. INFO	H33ZME-5P WX SPEC	3161001-S501-WX-B14
		JUN. 20. '11

1. Model H33ZME-5P
2. Application For 1/2 Format CCTV Camera
3. Specification
- 3-1. Physical (As per the attached drawing)
- (1) Dimensions 122mm ( W ) × 125mm ( H ) × 260.5mm ( L )
  - (2) Weight 2930 g
  - (3) Mount C-Mount , ( 1-32UN-2 A )
  - (4) Filter Screw Size M105 mm , P=1.0 mm
  - (5) Screw for Tripod 1/4-20 UNC
- 3-2. Optical
- (1) Focal Length 10 mm to 330 mm
  - (2) Max . Aperture Ratio 1 : 1.7 ( f=10mm ) to 3.8 ( f=330mm )
  - (3) Iris Range F/1.7 to F/560 ( ~ Close )
  - (4) Angle of View

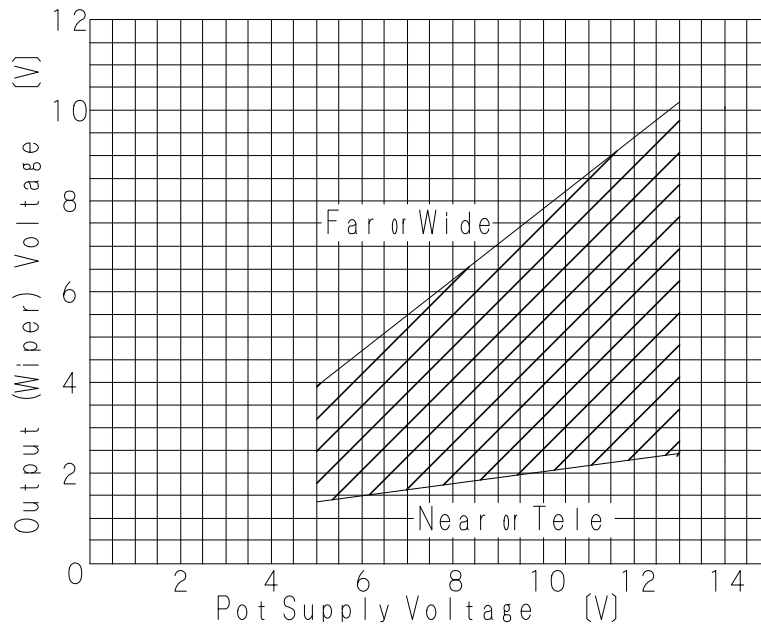
	WIDE	TELE
Diagonal	43.3 °	1.4 °
Horizontal	35.0 °	1.1 °
Vertical	26.4 °	0.9 °
  - (5) Picture format 6.4 mm×4.8 mm
  - (6) Focusing Range Inf. to 2.9 m ( From the front of lens )
  - (7) Back Focal Length 15.937 mm
  - (8) Flange Back Length 17.526 mm + 0.10 mm / - 0.05mm
- 3-3. Electrical
- (1) Auto Iris
- 1. Supply Voltage & Current DC 8 V to 15 V 40 mA or less
  - 2. Input Signal V or VS
  - 3. Iris Accuracy ±20 % at V signal level
  - 4. Sensitivity Adjustment 0.5 V(p-p) to 1.0 V(p-p) at V signal level continuously adjustable
  - 5. Input Impedance High Impedance
  - 6. Response Speed 1.5 sec. (approx.)
  - 7. Metering Average to Peak continuously adjustable (adjusted at Average when delivered)
  - 8. Close Down Iris closes down when the power is cut off and protects Image Sensor from strong light.
  - 9. Connector 4-pin Connector (E4-191J-150 made by Technical Electron)
- (2) Zooming & Focusing
- 1. Control Voltage & Current DC 12 V 50 mA or less/Motor ( at 25 ) Adjustable Voltage Range DC 6 V to 12 V
  - 2. Control Method Polarity Switching Type
  - 3. Operational Speed 3.5 sec. (approx.) for Zooming 6.0 sec. (approx.) for Focusing
  - 4. Connector 8-pin Connector (E8-760P-100 made by Technical Electron)

(3) Connection Diagram



R 1 , R 2 , R 3 , R 4	1 k	± 1%	0.125 W
VR 1 , VR 2	5 k	± 5%	1 W

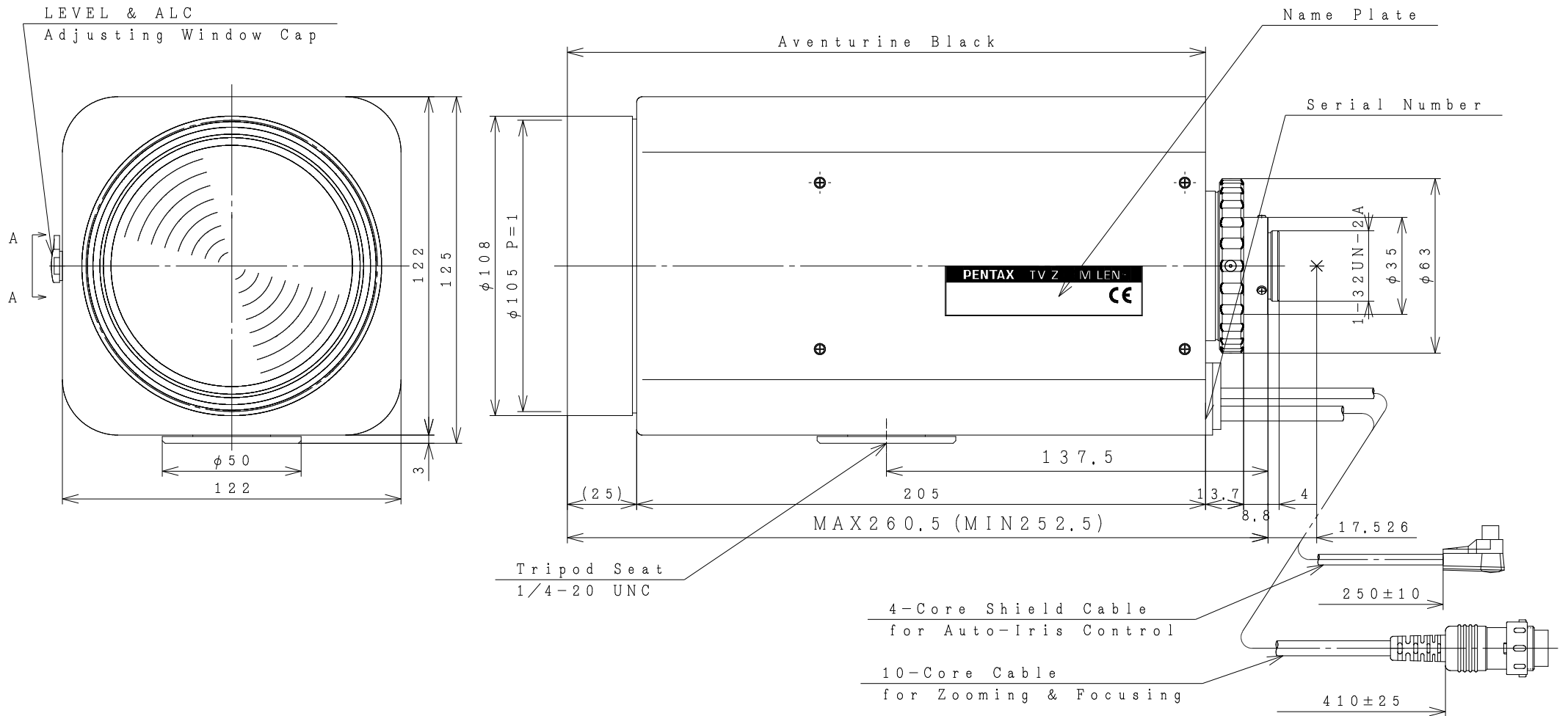
## ( 4 ) Pot Supply Output Range Characteristics



3-4. Environmental Temperature Range      -10      to +50

## 4. Accessories

- |                    |   |
|--------------------|---|
| (1) Front Lens Cap | 1 piece   |
| (2) Rear Lens Cap  | 1 piece   |
| (3) Connector      | 8-pin Connector<br>( D8-760J-100 made by Technical Electron ) |
| (4) Packing Box    | 1 piece   |



A-A  
(When Cap is off)

UNIT : mm

SPEC. INFO	3161001-S501-WX-B44
	JUN. 20. '11
PENTAX	