



**For Surveillance**  
Telephoto Zoom

Applicable camera (model)

**C22x23R2D-V41**

1	2/3	1/2	1/3	1/4
---	-----	-----	-----	-----

22x

NEW

**ZOOM**  
Zoom

**TELE**  
Telephoto  
Long Focal

**MOTOR DRIVE**  
Motor Drive

**Day~Night**  
Day & Night

**VIDEO**  
Video Auto Iris

**IRIS-REMOTE**  
Iris Remote

**C-mt**  
C Mount

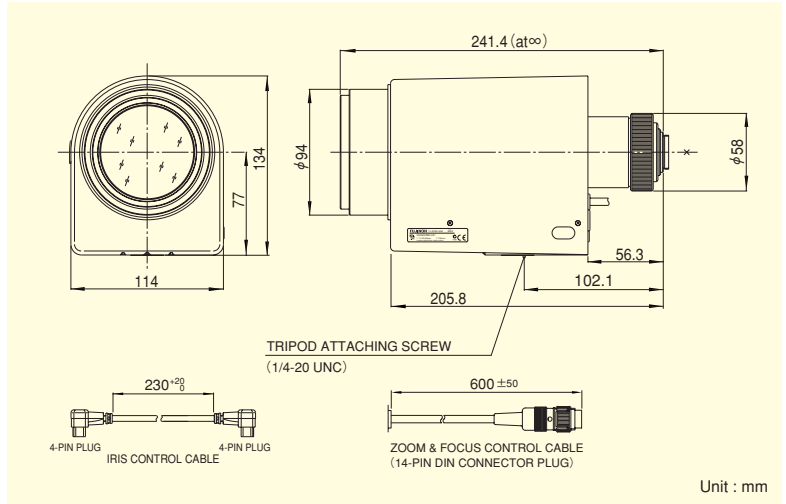
**METAL**  
Metal Mount

**ND**  
ND Filter



\*Photograph is a similar model.

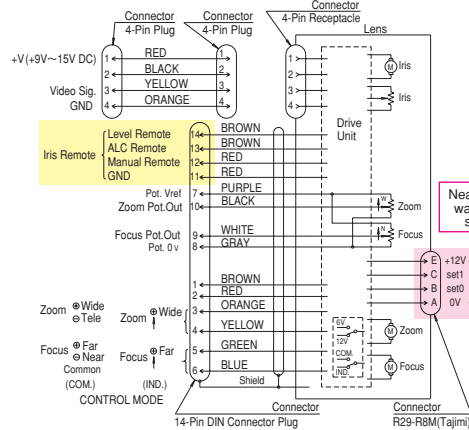
- Zoom lens with near-infrared wavelength selection mechanism, best suited for day and night cameras.
- High-power zoom lens with focal length of 500mm, best suited for remote surveillance.
- Compact and lightweight design, allowing compact systems to be easily established.
- Multi power compatibility (6V, ±6V, 12V, ±12V), for use with existing control systems.
- Special built-in ND filter of T3000, providing support for ultra sensitive cameras.
- Auto iris is remotely operable, allowing light intensity to be fine adjusted according to the monitoring target.
- Supports 1" photomultiplier tube cameras.



Unit : mm

Focal Length (mm)		23~506 (22x)	
Iris Range		F3.1 ~ T3000 (Equivalent to F3000)	
Operation	Zoom	Motor Drive	
	Focus	Motor Drive	
	Iris	Auto (Video Type) or Remote	
Angle Of View (HxV)	1"	WIDE	31°06' X 23°35'
		TELE	1°27' X 1°05'
	2/3"	WIDE	21°40' X 16°20'
		TELE	1°00' X 0°45'
	1/2"	WIDE	15°50' X 11°55'
		TELE	0°43' X 0°33'
Focusing Range (From Front Of The Lens) (m)		∞ ~ 3	
Object Dimensions at M.O.D. (HxV) (mm)	1"	WIDE	1611 X 1208
		TELE	73 X 55
	2/3"	WIDE	1108 X 831
		TELE	50 X 38
	1/2"	WIDE	806 X 604
		TELE	37 X 27
Back Focal Distance (in air) (mm)		39.58	
Exit Pupil Position (From Image Plane) (mm)		-64	
Filter Thread (mm)		M82 X 0.75	
Mount		C	
Mass (kg)		2.4	
Standard Accessories		Iris Control Cable	
Remarks		• With Metal Mount	

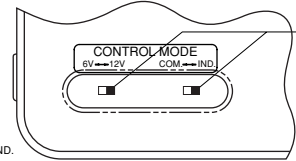
**Wiring**



Near-infrared wavelength selected

**Control Mode**

(Rear View)



Factory Setting : 12V / IND.

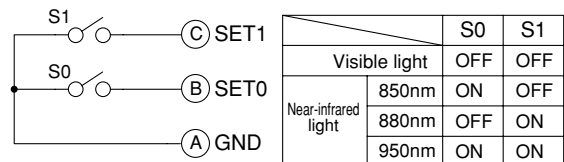
Controller output	Select switch position
6V	6V / IND.
±6V	6V / COM.
12V	12V / IND.
±12V	12V / COM.

**Accessories**

■ Extender

Model	Magnification
HE15-1	1.5X
HE20-1	2X

**Near-infrared wavelength selected**



TELEPHOTO ZOOM LENSES