

For Security

# 2/3" ZOOM

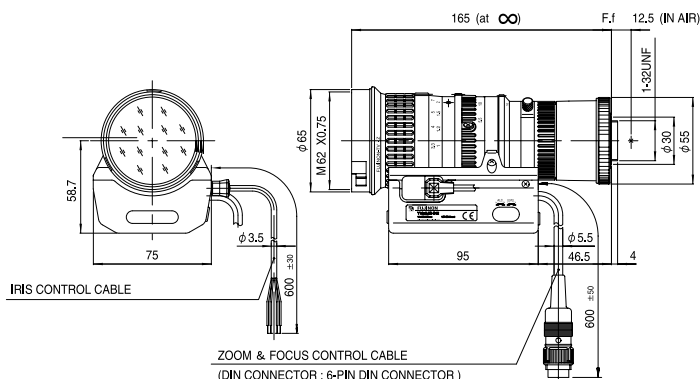
Motor Drive Zoom  
Auto Iris  
VIDEO TYPE

**FUJINON** CCTV LENS

H16×10B-S41



※A photograph is a similar model.



Unit : mm

Model		H16 × 10B-S41	
Focal Length		10mm ~ 160mm (16×)	
Iris Range		F2.5 ~ T800 (Equivalent to F800)	
Operation	Iris	Auto	
	Focus	Motor Drive	
	Zoom	Motor Drive	
ANGLE OF VIEW (H × V)	1/2"	Wide	47°30' × 36°32'
		Tele	3°16' × 2°27'
Focusing Range (From Front Of Lens)		∞ ~ 1m	
Object Dimensions at M.O.D. (H × V)	1/2"	Wide	862mm × 620mm
		Tele	54mm × 40mm
Back Focal Distance (in air)		14.77mm	
Filter Thread		M62 × 0.75mm	
Mount		C Mount	
Mass		900g	
Exit Pupil Position (from Image Plane)		186mm	
Standard Accessories		Iris Control Cable Conversion Cable (6-pin→4-pin) Connection Connector (4-pin) Connection Connector (6-pin)	

### Wiring

Controller output	6V	±6V	12V	±12V
Select switch position	6V/IND.	6V/COM.	12V/IND.	12V/COM.
Conversion cable	Not necessary	Necessary	Not necessary	Necessary

The switches have been set at 12V and IND respectively as shown left, at the factory.

Example: ±6V control (Connection of conversion cable is required.)

### Accessories

Extender	Model		Magnification					
		HE15-1		× 1.5				
	HE20-1		× 2					
Control Box	Model	Output Voltage	Operation	Maximum Output Current	Output Connector	Power Source	Power Consumption (at 100V AC)	Mass
	CRD-1A	6V DC/12V DC	Zoom, Focus	0.2A	Mab 6100	100V/120V/220V/240V AC, 50/60Hz	15W	2.1kg
	CRD-1B	±6V DC/±12V DC	Zoom, Focus	0.2A	Mab 4100	100V/120V/220V/240V AC, 50/60Hz	15W	2.1kg
Power Cord	Japan	U.S.A./Canada	Continental Europe	Australia	Without AC Plug			
	PCA-1	PCA-2	PCA-3	PCA-4	PCA-5			
Extension Cable	10m	CRD-1A		CEC-AA102-11		CRD-1B		CEC-AB102-11
	20m			CEC-AA202-11				CEC-AB102-11