

For Security

1/2" ZOOM

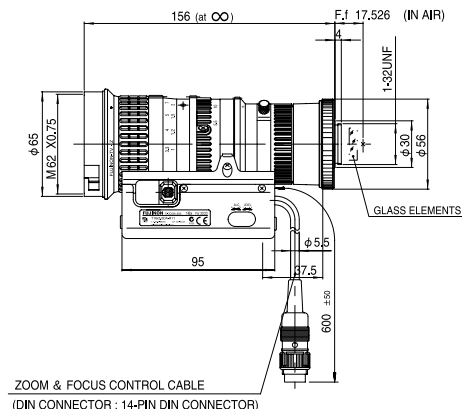
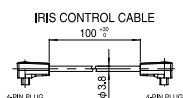
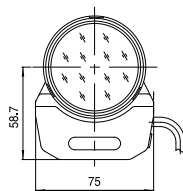
Motor Drive Zoom
Preset
Auto Iris
DC Type

FUJINON CCTV LENS

D16×7.3B-Y41



※A photograph is a similar model.

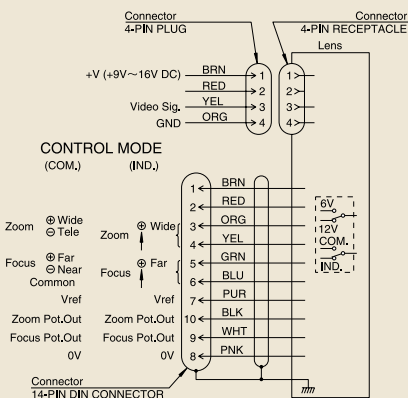


ZOOM & FOCUS CONTROL CABLE
(DIN CONNECTOR : 14-PIN DIN CONNECTOR)

Unit : mm

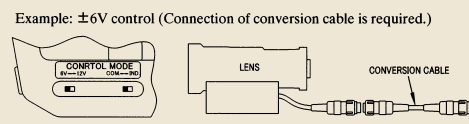
Model		D16 × 7.3B-Y41	
Focal Length		7.3mm ~ 117mm (16×)	
Iris Range		F1.9 ~ T400 (Equivalent to F400)	
Operation	Iris	Auto	
	Focus	Motor Drive	
	Zoom	Motor Drive	
ANGLE OF VIEW (H × V)	1/2"	Wide	47°20' × 36°24'
		Tele	3°08' × 2°21'
Focusing Range (From Front Of Lens)		∞ ~ 1m	
Object Dimensions at M.O.D. (H × V)	1/2"	Wide	824mm × 618mm
		Tele	51mm × 39mm
Back Focal Distance (in air)		19.5mm	
Filter Thread		M62 × 0.75mm	
Mount		C Mount	
Mass		900g	
Exit Pupil Position (from Image Plane)		220mm	
Standard Accessories		Iris Control Cable	

Wiring



Controller output	6V	±6V	12V	±12V
Select switch position	6V/IND.	6V/COM.	12V/IND.	12V/COM.
Conversion cable	Not necessary	Necessary	Not necessary	Necessary

The switches have been set at 12V and IND respectively as shown left, at the factory.



Accessories		
	Model	Magnification
Extender	HE15-1	× 1.5
	HE20-1	× 2