

For Security

1/2" ZOOM

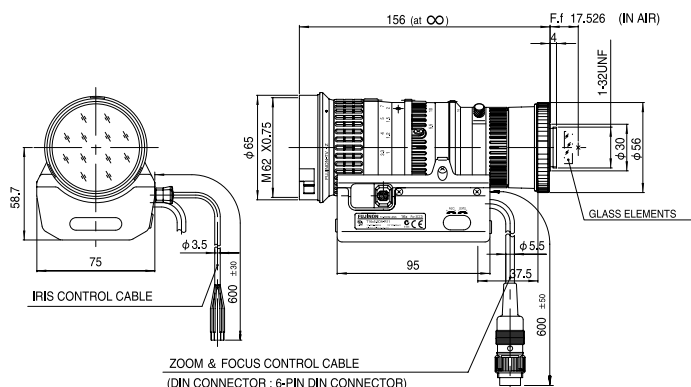
Motor Drive Zoom
Auto Iris
VIDEO TYPE

FUJINON CCTV LENS

D16×7.3B-S41



※A photograph is a similar model.



Unit : mm

Model		D16 × 7.3B-S41	
Focal Length		7.3mm ~ 117mm (16×)	
Iris Range		F1.9 ~ T400 (Equivalent to F400)	
Operation	Iris	Auto	
	Focus	Motor Drive	
	Zoom	Motor Drive	
ANGLE OF VIEW (H × V)	1/2"	Wide	47°20' × 36°24'
		Tele	3°08' × 2°21'
Focusing Range (From Front Of Lens)		∞ ~ 1m	
Object Dimensions at M.O.D. (H × V)	1/2"	Wide	824mm × 618mm
		Tele	51mm × 39mm
Back Focal Distance (in air)		19.5mm	
Filter Thread		M62 × 0.75mm	
Mount		C Mount	
Mass		900g	
Exit Pupil Position (from Image Plane)		220mm	
Standard Accessories		Iris Control Cable Conversion Cable (6-pin→4-pin) Connection Connector (4-pin) Connection Connector (6-pin)	

Wiring

Connector 4-PIN PLUG

Connector 4-PIN RECEPTACLE Lens

+V (+9V~16V DC) BRN → 1
RED → 2
Video Sig. YEL → 3
GND ORG → 4

CONTROL MODE (COM.) (IND.)

Zoom ⊕ Wide ⊕ Tele ⊖ Zoom ⊕ Wider ⊕ Focus ⊕ Far ⊕ Near ⊖ Common

Connector 4-PIN PLUG

Connector 6-PIN RECEPTACLE

Connector 6-PIN DIN CONNECTOR

Controller output	6V	±6V	12V	±12V
Select switch position	6V/IND.	6V/COM.	12V/IND.	12V/COM.
Conversion cable	Not necessary	Necessary	Not necessary	Necessary

The switches have been set at 12V and IND respectively as shown left, at the factory.

Example: ±6V control (Connection of conversion cable is required.)

Accessories

Extender	Model		Magnification					
		HE15-1		× 1.5				
	HE20-1		× 2					
Control Box	Model	Output Voltage	Operation	Maximum Output Current	Output Connector	Power Source	Power Consumption (at 100V AC)	Mass
	CRD-1A	6V DC/12V DC	Zoom. Focus	0.2A	Mab 6100	100V/120V/220V/240V AC.50/60Hz	15W	2.1kg
	CRD-1B	±6V DC/±12V DC	Zoom. Focus	0.2A	Mab 4100	100V/120V/220V/240V AC.50/60Hz	15W	2.1kg
Power Cord	Japan	U.S.A./Canada	Continental Europe	Australia	Without AC Plug			
	PCA-1	PCA-2	PCA-3	PCA-4	PCA-5			
Extension Cable	10m	CRD-1A	CEC-AA102-11		CRD-1B	CEC-AB102-11		
	20m		CEC-AA202-11			CEC-AB102-11		