

For Security

1/2" ZOOM

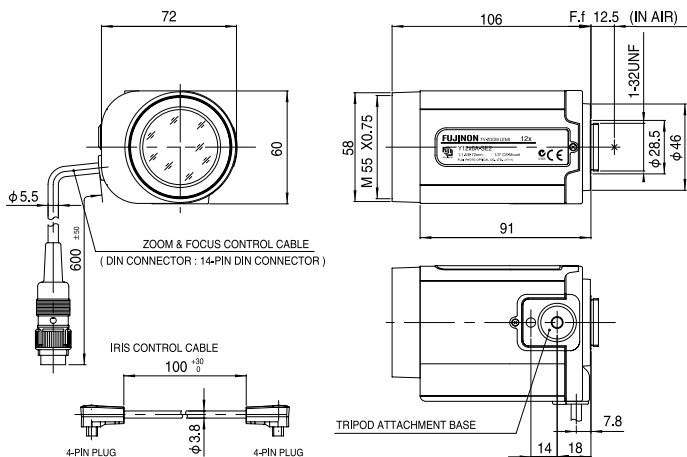
Motor Drive Zoom
Preset
Auto Iris
DC Type

FUJINON CCTV LENS

D12×8A-YE2

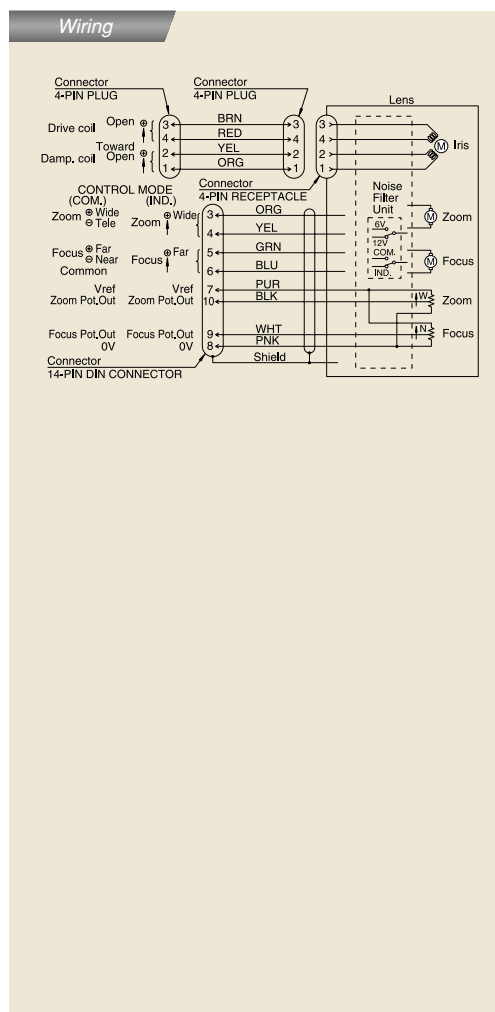


※A photograph is a similar model.



Unit : mm

Model		D12 × 8A-YE2	
Focal Length		8mm ~ 96mm (12×)	
Iris Range		F2.0 ~ T400 (Equivalent to F400)	
Operation	Iris	Auto	
	Focus	Motor Drive	
	Zoom	Motor Drive	
ANGLE OF VIEW (H × V)	1/2"	Wide	43°36' × 33°24'
		Tele	3°49' × 2°52'
	1/3"	Wide	33°24' × 25°22'
		Tele	2°52' × 2°09'
	1/4"	Wide	25°22' × 19°09'
		Tele	2°09' × 1°37'
Focusing Range (From Front Of Lens)		∞ ~ 1.3m	
Object Dimensions at M.O.D. (H × V)	1/2"	Wide	1003mm × 753mm
		Tele	84mm × 63mm
	1/3"	Wide	752mm × 565mm
		Tele	63mm × 47mm
1/4"	Wide	564mm × 424mm	
	Tele	47mm × 35mm	
Back Focal Distance (in air)		16.22mm	
Filter Thread		M55 × 0.75mm	
Mount		CS Mount	
Mass		350g	
Exit Pupil Position (from Image Plane)		-51mm	
Standard Accessories		Iris Control Cable	



Accessories					
Close-up Lens	Model	Focusing Range	Camera plmage Size Range	Object Dimensions	
				TELE	WIDE
	CL3355 (M55×0.75mm, fc=333mm)	333mm~250mm			1/2"
1/3"					13mm×10mm 152mm×114mm
1/4"					10mm× 7mm 114mm× 86mm
CL10055 (M55×0.75mm, fc=1000mm)	1000mm~500mm			1/2"	37mm×27mm 436mm×327mm
				1/3"	27mm×21mm 327mm×245mm
				1/4"	21mm×15mm 245mm×184mm