

For Security

1/3" ZOOM

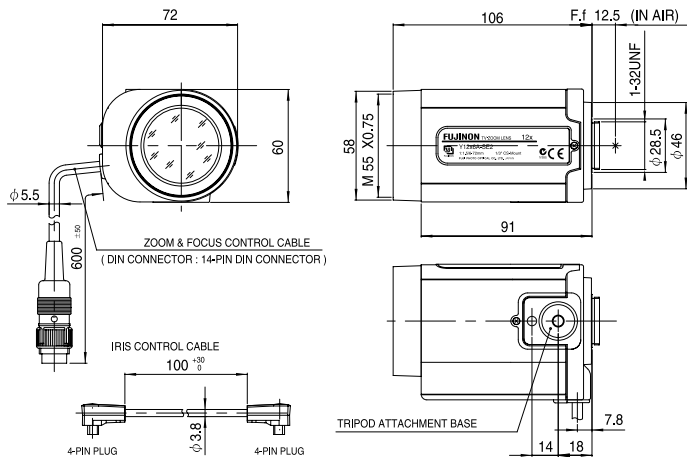
Motor Drive Zoom
Preset
Auto Iris
DC Type

FUJINON CCTV LENS

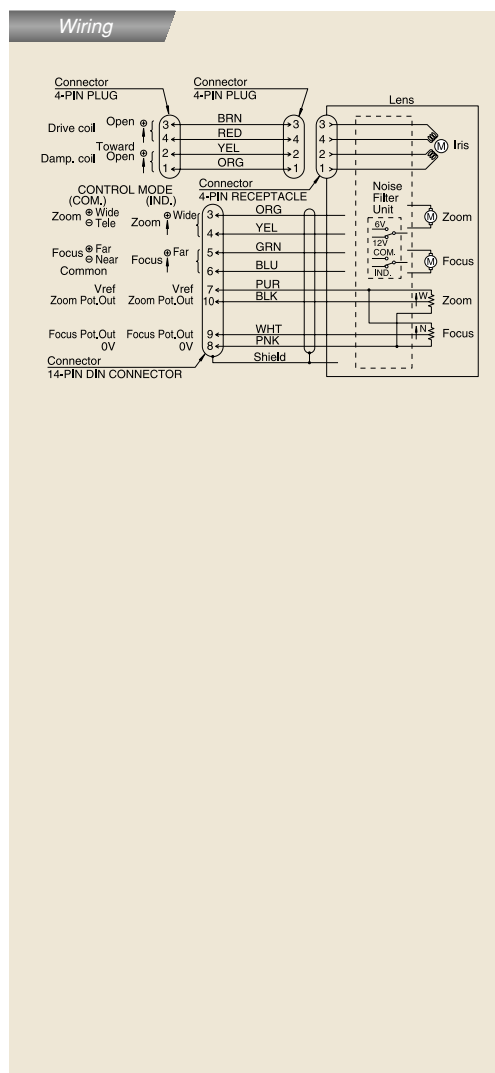
Y12×6A-YE2



※A photograph is a similar model.



Model		Y12 × 6A-YE2	
Focal Length		6mm ~ 72mm (12×)	
Iris Range		F1.5 ~ T400 (Equivalent to F400)	
Operation	Iris	Auto	
	Focus	Motor Drive	
	Zoom	Motor Drive	
ANGLE OF VIEW (H × V)	1/3"	Wide	43°36' × 33°24'
		Tele	3°49' × 2°52'
	1/4"	Wide	33°24' × 25°22'
		Tele	2°52' × 2°09'
Focusing Range (From Front Of Lens)		∞ ~ 1.3m	
Object Dimensions at M.O.D. (H × V)	1/3"	Wide	1003mm × 753mm
		Tele	84mm × 63mm
	1/4"	Wide	752mm × 565mm
		Tele	63mm × 47mm
Back Focal Distance (in air)		11.69mm	
Filter Thread		M55 × 0.75mm	
Mount		CS Mount	
Mass		350g	
Exit Pupil Position(from Image Plane)		-6028mm	
Standard Accessories		Iris Control Cable	



Accessories					
	Model	Focusing Range	Camera plmage Size Range	Object Dimensions	
				TELE	WIDE
Close-up Lens	CL3355 (M55×0.75mm, fc=333mm)	333mm~250mm	1/3"	17mm×13mm	203mm×152mm
			1/4"	13mm×10mm	152mm×114mm
	CL10055 (M55×0.75mm, fc=1100mm)	1000mm~500mm	1/3"	37mm×27mm	436mm×327mm
			1/4"	27mm×21mm	327mm×245mm