

For Security

# 1/3" ZOOM

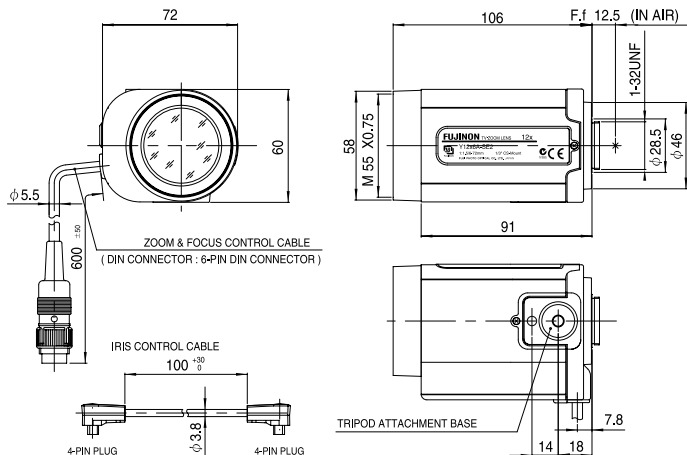
Motor Drive Zoom  
Auto Iris  
DC Type

**FUJINON** CCTV LENS

Y12×6A-SE2



※A photograph is a similar model.



Unit : mm

Model		Y12 × 6A-SE2	
Focal Length		6mm ~ 72mm (12×)	
Iris Range		F1.5 ~ T400 (Equivalent to F400)	
Operation	Iris	Auto	
	Focus	Motor Drive	
	Zoom	Motor Drive	
ANGLE OF VIEW (H × V)	1/3"	Wide	43°36' × 33°24'
		Tele	3°49' × 2°52'
	1/4"	Wide	33°24' × 25°22'
		Tele	2°52' × 2°09'
Focusing Range (From Front Of Lens)		∞ ~ 1.3m	
Object Dimensions at M.O.D. (H × V)	1/3"	Wide	1003mm × 753mm
		Tele	84mm × 63mm
	1/4"	Wide	752mm × 565mm
		Tele	63mm × 47mm
Back Focal Distance (in air)		11.69mm	
Filter Thread		M55 × 0.75mm	
Mount		CS Mount	
Mass		350g	
Exit Pupil Position (from Image Plane)		-6028mm	
Standard Accessories		Iris Control Cable Conversion Cable (6-pin→4-pin) Connection Connector (4-pin) Connection Connector (6-pin)	

### Wiring

Controller output	6V	±6V	12V	±12V
Select switch position	6V/IND.	6V/COM.	12V/IND.	12V/COM.
Conversion cable	Not necessary	Necessary	Not necessary	Necessary

The switches have been set at 12V and IND respectively as shown left, at the factory.

Example: ±6V control (Connection of conversion cable is required.)

### Accessories

	Model	Focusing Range	Camera plmage Size Range	Object Dimensions				
				TELE	WIDE			
Close-up Lens	CL3355 (M55×0.75mm, fc=333mm)	333mm~250mm	1/3"	17mm×13mm	203mm×152mm			
				1/4"	13mm×10mm	152mm×114mm		
	CL10055 (M55×0.75mm, fc=1100mm)	1000mm~500mm	1/3"	37mm×27mm	436mm×327mm			
				1/4"	27mm×21mm	327mm×245mm		
Control Box	Model	Output Voltage	Operation	Maximum Output Current	Output Connector	Power Source	Power Consumption (at 100V AC)	Mass
	CRD-1A	6V DC/12V DC	Zoom, Focus	0.2A	Mab 6100	100V/120V/220V/240V AC, 50/60Hz	15W	2.1kg
	CRD-1B	±6V DC/±12V DC	Zoom, Focus	0.2A	Mab 4100	100V/120V/220V/240V AC, 50/60Hz	15W	2.1kg
Power Cord	Japan	U.S.A./Canada	Continental Europe	Australia	Without AC Plug			
	PCA-1	PCA-2	PCA-3	PCA-4	PCA-5			
Extension Cable	10m 20m	CRD-1A	CEC-AA102-11		CRD-1B	CEC-AB102-11		
			CEC-AA202-11			CEC-AB102-11		