

For Security

2/3" ZOOM

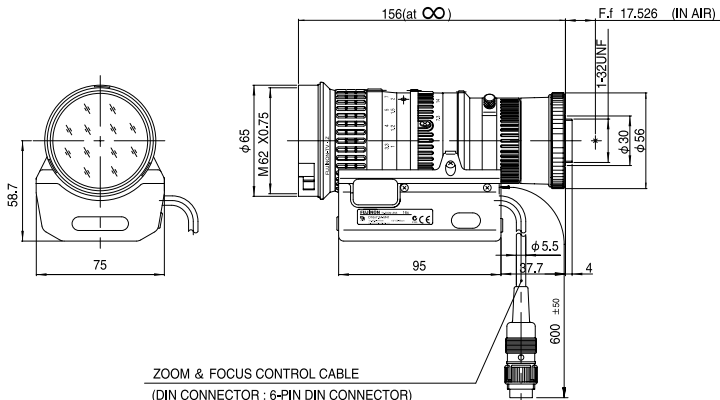
Motor Drive
Zoom
Remote Iris

FUJINON CCTV LENS

H16×10A-M41



※A photograph is a similar model.



Unit : mm

Model		H16 × 10A-M41	
Focal Length		10mm ~ 160mm (16×)	
Iris Range		F2.5 ~ F22 • Close	
Operation	Iris	Motor Drive	
	Focus	Motor Drive	
	Zoom	Motor Drive	
ANGLE OF VIEW (H × V)	2/3" Wide	47°30' × 36°32'	
	Tele	3°16' × 2°27'	
Focusing Range (From Front Of Lens)		∞ ~ 1m	
Object Dimensions at M.O.D. (H × V)	2/3" Wide	862mm × 620mm	
	Tele	54mm × 40mm	
Back Focal Distance (in air)		14.77mm	
Filter Thread		M62 × 0.75mm	
Mount		C Mount	
Mass		900g	
Exit Pupil Position (from Image Plane)		186mm	
Standard Accessories		Conversion Cable (6-pin→4-pin) Connection Connector (4-pin) Connection Connector (6-pin)	

Wiring

Controller output	6V	±6V	12V	±12V
Select switch position	6V/IND.	6V/COM.	12V/IND.	12V/COM.
Conversion cable	Not necessary	Necessary	Not necessary	Necessary

The switches have been set at 12V and IND respectively as shown left, at the factory.

Example: ±6V control (Connection of conversion cable is required.)

Accessories

Extender	Model		Magnification						
		HE15-1		× 1.5					
	HE20-1		× 2						
Control Box	Model	Output Voltage	Operation	Maximum Output Current	Output Connector	Power Source	Power Consumption (at 100V AC)	Mass	
	CRD-2A	6V DC/12V DC	Zoom, Focus	0.2A	Mab 6100	100V/120V/220V/240V AC, 50/60Hz	15W	2.1kg	
	CRD-2B	±6V DC/±12V DC	Zoom, Focus	0.2A	Mab 4100	100V/120V/220V/240V AC, 50/60Hz	15W	2.1kg	
Power Cord	Japan	U.S.A./Canada	Continental Europe	Australia	Without AC Plug				
	PCA-1	PCA-2	PCA-3	PCA-4	PCA-5				
Extension Cable	10m	CRD-2A		CEC-AA102-11		CRD-2B		CEC-AB102-11	
	20m			CEC-AA202-11				CEC-AB102-11	