

# Motorized Compact Lenses

## Motorized Compact lenses

As further option for our successful compact lens series Cinegon, Xenoplan and Tele-Xenar Schneider Kreuznach attached a motorized iris to the optics without changing the benefits of the superior and well-known lenses.

The DC stepper motor with the industrial P-Iris connector enables the use of the existing well-proven optical designs and the lockable focus mechanism with a variable iris control for perfect use of light even under rough conditions. High guaranteed reliability with over 100,000 cycles fulfils the demand of industrial applications.



Cinegon 1.4/12-1906

### Key Features

- "Plug and Play" Industrial P-Iris connector
- DC Stepper motor for digital control
- Reliable mechanics for more than 100,000 cycles

### Applications

- Traffic
- Machine Vision and other imaging applications
- 3D measurement
- Medical
- Robot vision
- Food processing

### Contact

Jos. Schneider Optische Werke GmbH  
Ringstraße 132  
55543 Bad Kreuznach  
Germany  
Phone +49 671 601-205 or -491  
Fax +49 671 601-286  
[www.schneiderkreuznach.com/industrialoptics](http://www.schneiderkreuznach.com/industrialoptics)  
[industrie@schneiderkreuznach.com](mailto:industrie@schneiderkreuznach.com)

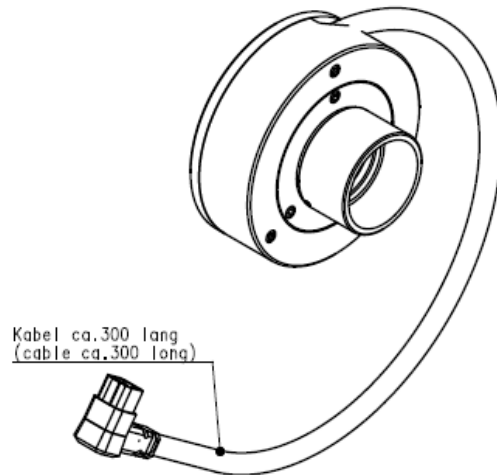
Schneider Asia Pacific Ltd.  
20/F Central Tower, 28 Queen's Road  
Central, Hong Kong  
China  
Phone +852 8302 0301  
Fax +852 8302 4722  
[www.schneider-asiapacific.com](http://www.schneider-asiapacific.com)  
[info@schneider-asiapacific.com](mailto:info@schneider-asiapacific.com)

Schneider Optics Inc.  
285 Oser Ave.  
Hauppauge, NY 11788  
USA  
Phone +1 631 761-5000  
Fax +1 631 761-5090  
[www.schneideroptics.com/oem](http://www.schneideroptics.com/oem)  
[oem@schneideroptics.com](mailto:oem@schneideroptics.com)

# Motorized Compact Lenses

## Technical Specification

Motor type	2 phase, bipolar stepper motor
Coil resistance	21 Ohm
Current	$\leq 143$ mA / Phase
Max. apply voltage	5V
Coil inductivity	1.8 mH / Phase at 1 kHz
Max. Step frequency	400 Hz
Cable type	Lemo Santoprene 2x2x0.14mm <sup>2</sup>
Connector	P-Iris / JEITA E4-191J-100
Operating temperature	0°C to +50°C
Storage temperature range	-20°C to +75°C
Mtbf	> 100,000 cycles
Order no.	1076107



### Available Lenses for 2/3" (11mm)

### Article No.

Cinegon-M 1.8/4.8-1902	1061448
Cinegon-M 2.1/6-1901	1075636
Cinegon-M 1.4/8-1902	1061449
Cinegon-M 1.4/12-1903	1061450
Xenoplan-M 1.4/17-1903	1061451
Xenoplan-M 1.4/23-1902	1061452
Xenoplan-M 1.9/35-1901	1061453
Tele-Xenar-M 2.2/70-1902	1061457

### Available Lenses for 1" (16mm)

### Article No.

Cinegon-M 1.9/10-1901	1061374
Cinegon-M 1.8/16-1901	1061375
Tele-Xenar-M 2.2/70-1902	1061457

### Available Lenses for 1.3" (22mm)

### Article No.

Apo-Xenoplan-M 2.0/24	1076613
Xenoplan-M 2.0/28	1061456
Apo-Xenoplan-M 2.0/35	1076612
Xenoplan-M 2.8/50	1076611

