



SPECIAL FEATURES

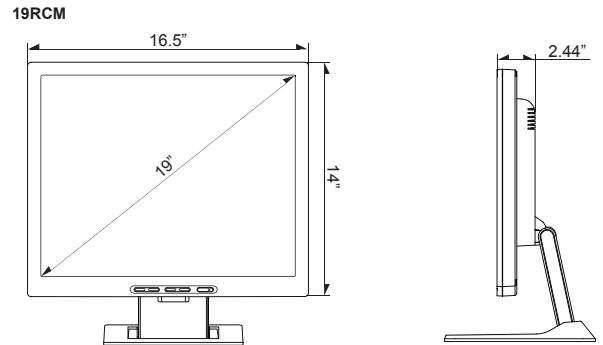
- Entry Level Price Point
- Video 1 In / 1 Out (BNC Type), HDMI 1 In, VGA 1 In
Audio 2 In, PC Stereo 1 In
- Multi-Language Support
- 5ms, 250nits, 800:1 Contrast Ratio
- Mounting Options: Wall, Ceiling and Rack

SPECIFICATIONS

		19RCM
Display	Screen Size	19 Inch
	Max. Resolution	1280 x 1024 @ 60Hz
	Pixel Pitch	0.294 x 0.294mm
	Brightness	250cd/m ²
	Contrast Ratio	800 : 1
	Aspect Ratio	4 : 3
	Viewing Angle (H/V)	160° / 160°
	Display Color	16.7 Million
	Response Time	< 5ms
	Video System	NTSC / PAL
Interface	Video In / Out (BNC Type)	2 / 2
	HDMI In	1
	VGA In (15Pin D-Sub)	1
	Audio In (RCA Type)	2 (L + R)
	PC Stereo In	1
Audio	Built-In Speakers	Optional
	Volume control (on OSD)	External speaker
Features	Filter Type	2D Comb Filter
	Multi Language	English, French, Deutsch, Spanish, Italiano, Japanes, Korean
Dimension	Outline Dimension (W x H x D)	16.5" x 14.0" x 2.44"
	Net. Weight	5.1Kg (11.24lbs)
Cabinet	Color	Black
	Base Stand	Yes
	Tilt Function	Yes
Warranty	Part/Labor	2year / 2year
	MTBF (Approx.)	50,000 Hours
Regulations		RoHs, UL , CB, FCC(A), CE-Emc(LVD)
Power	Consumption: < On	< 40W
	Electrical Ratings	AC100 ~ 240V(50/60Hz) DC12V / 3.5A
Circumstance	Operating Temperature	0 ~ 50° C / 32 ~ 122° F
	Storage Temperature	-20 ~ 60° C / -4 ~ 140° F
Mounts	VESA™ Mount Size	100 x 100mm (BS M4 x 10mm Screw)
	Wall	WB-5, WB-10, WB-30, WB-31
	Ceiling	CMK-01
	Rack	RMK-08

*Design and specifications are subject to change without notice

DIMENSIONS



TILT FUNCTION

