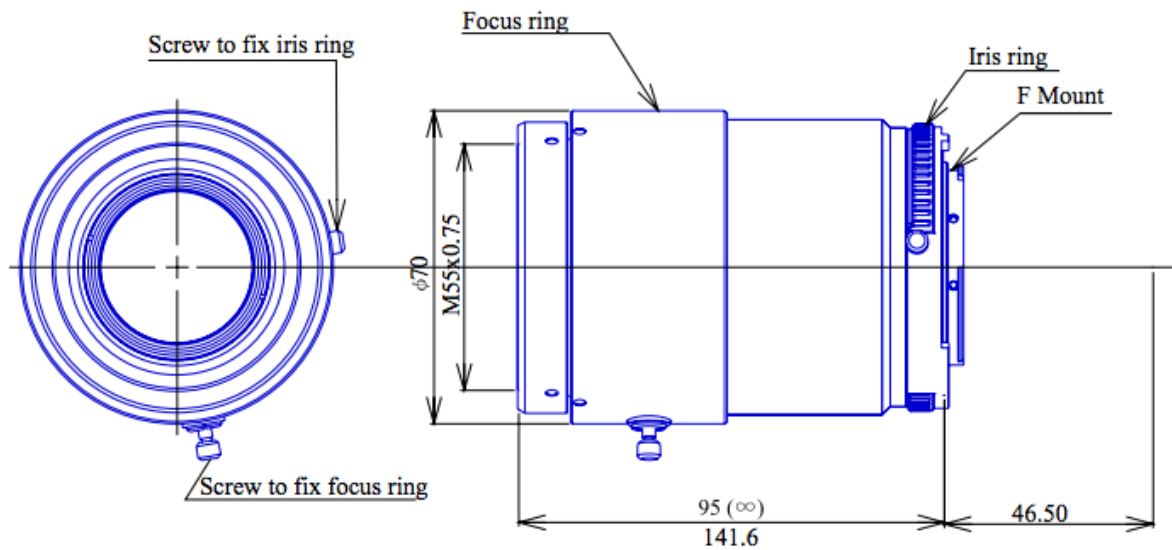


Line Scan Fixed-Focal GLS10028F



Part No.	GLS10028F
Focal Length	100mm
Iris Range	f/2.8-32
Image Circle	43mm
MOD	300mm
Mount	F
Filter Thread	M55 x P0.75