



**For Security  
Vari-Focal**

**MP<sup>3</sup> MEGA PIXELS**

**DV3.4×3.8SA-SA1**

Applicable camera (model)

1	2/3	1/2	1/3	1/4
---	-----	-----	-----	-----

**3.4×**



**New!**

**VARI**  
Vari-Focal

**WIDE**  
Wide Angle

**TELE**  
Telephoto  
Long Focal

**3 Mega**  
For Megapixel  
Camera

**DC**  
DC Auto Iris

**C-mt**  
C Mount

**METAL**  
Metal Mount

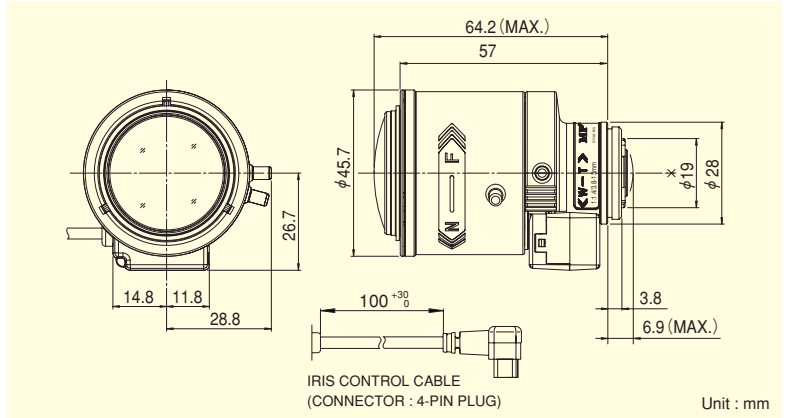
**ND**  
ND Filter

**230**  
Long Cable

**AT**  
Aspherical Lens

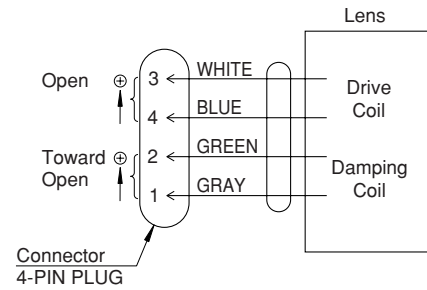
**F1.4**  
Wide Aperture Rate

- High image-quality monitoring with optical performance supporting 3 megapixels.
- Compatible with a wide range - 1/2", 1/3" and 1/4" - cameras.
- Wide f3.8-13mm range accommodates various applications.
- Designed to maximize optical performance with high-accuracy aspheric lens, low-dispersion glass, and high refractive-index glass.
- Built-in ND filter of T360, supporting high sensitivity cameras.



Focal Length (mm)		3.8~13 (3.4×	
Iris Range		F1.4 ~ T360 (Equivalent to F360)	
Operation	Zoom	Manual	
	Focus	Manual	
	Iris	Auto (DC Type) (*1)	
Angle Of View (H×V)	1/2"	WIDE	97°34' × 71°47'
		TELE	28°23' × 21°18'
	1/3"	WIDE	71°47' × 53°25'
		TELE	21°18' × 15°59'
	1/4"	WIDE	53°15' × 39°41'
		TELE	15°59' × 11°59'
Focusing Range (From Front Of The Lens) (m)		∞ ~ 0.3	
Object Dimensions at M.O.D. (H×V) (mm)	1/2"	WIDE	715 × 452
		TELE	170 × 126
	1/3"	WIDE	452 × 313
		TELE	126 × 94
	1/4"	WIDE	313 × 225
		TELE	94 × 70
Back Focal Distance (in air) (mm)		10.60	
Exit Pupil Position (From Image Plane) (mm)		461	
Filter Thread (mm)		—	
Mount		C	
Mass (g)		80	
Coil Resistance		Drive Coil	190Ω
		Damping Coil	500Ω
Current Consumption		23mA (Max.) at DC 4V	
Remarks		<ul style="list-style-type: none"> <li>• With Metal Mount</li> <li>(*1) When power is turned off, iris will automatically close.</li> </ul> DV3.4×3.8SA-SA1L : Long Cable Type (230mm)	

**Wiring**



[Lens Image]



MP<sup>3</sup> MEGAPIXEL VARI-FOCAL LENSES