

HG1214FCS-3

12mm F1.4
for 1/2 type Cameras, Fixed-focal Auto Iris DC Drive
CS-Mount

with Focus, w/o Amplifier

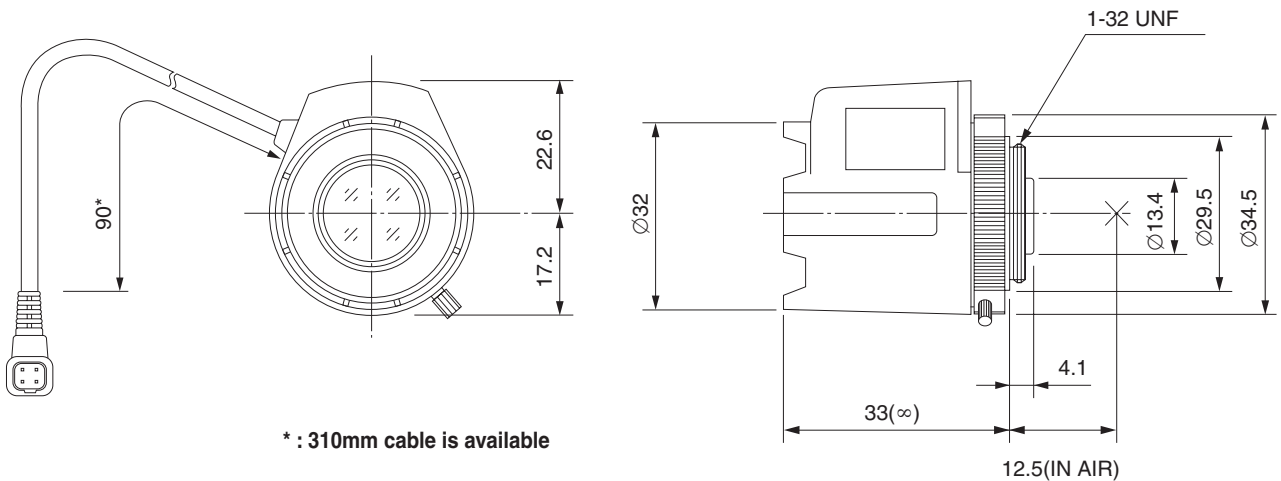
Model No.	HG1214FCS-3		Effective	Front	Ø13.0mm		
Focal Length	12mm		Lens Aperture	Rear	Ø8.8mm		
Max. Aperture Ratio	1:1.4		Back Focal Length		8.6mm		
Max. Image Format	6.4mm x 4.8mm(Ø8mm)		Flange Back Length		12.5mm		
Operation Range	Iris	F1.4 - F360C		Mount	CS-Mount		
	Focus	0.3m - Inf.		Filter Size	—		
Control	Iris	DC Auto Iris		Dimensions	Ø32mm x 39.8mm x 33mm		
	Focus	Manual		Weight	35g		
Object Dimension at M.O.D.	16.3cm x 12cm						
Angle of View	D	1/2 type	38.5°	1/3 type	28.6°	1/4 type	21.3°
	H		30.4°		22.7°		17.0°
	V		22.7°		17.0°		12.8°
Coil	Drive	190Ω					
	Control	855Ω					
Operating Temperature	-20°C - +50°C						

1/2
type

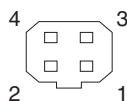
M.O.D : Minimum Object Distance

Dimensions

CS



Wiring Diagram



Pin No.

1	BROWN	Control (-)
2	RED	Control (+)
3	YELLOW	Drive (+)
4	ORANGE	Drive (-)