

H10Z0812MS

10X 8mm - 80mm F1.2
for 1/2 type Cameras, Motorized Zoom
C-Mount

with Spot Filter

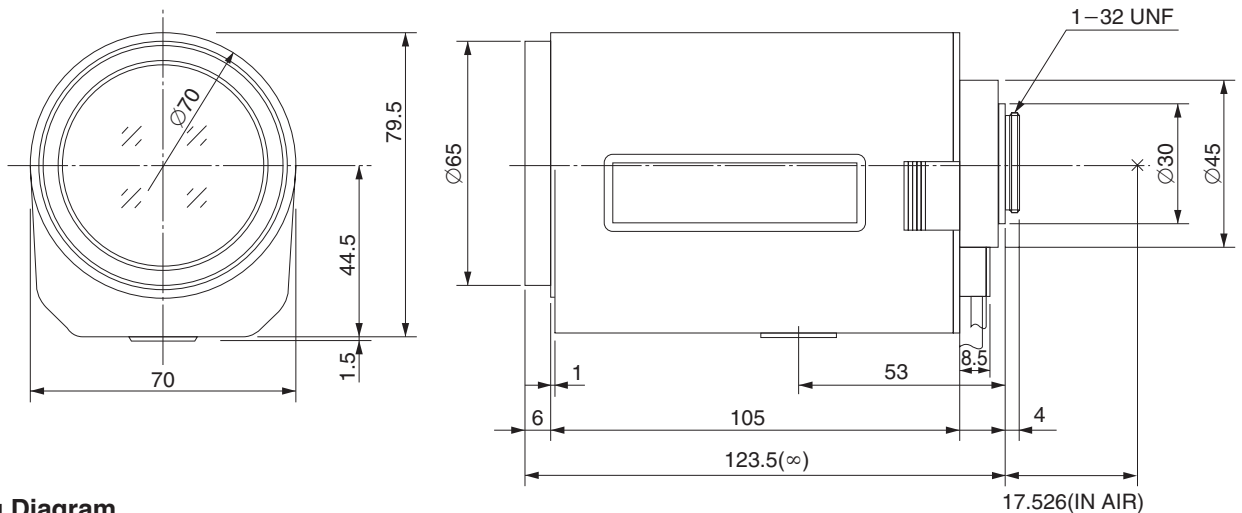
Model No.	H10Z0812MS		Effective	Front	Ø54.0mm			
Focal Length	8mm - 80mm		Lens Aperture	Rear	Ø14.0mm			
Max. Aperture Ratio	1:1.2		Back Focal Length		15.3mm			
Max. Image Format	6.4mm x 4.8mm(Ø8mm)		Flange Back Length		17.526mm			
Operation Range	Iris	F1.2 - F560C		Mount	C-Mount			
	Focus	1.5m - Inf.		Filter Size	M62 P=0.75mm			
	Zoom	8mm - 80mm		Tripod Screw	1/4 - 20UNC			
Control	Iris	Motorized		Dimensions	W70mm x H81mm x D123.5mm			
	Focus	Motorized		Weight	635g			
	Zoom	Motorized						
Object Dimension at M.O.D.	8mm	124.8cm x 92.5cm						
	80mm	12.3cm x 9.2cm						
Angle of View	D	1/2 type	54.3° - 5.8°	1/3 type	41.3° - 4.4°	1/4 type	31.2° - 3.3°	
	H		44.0° - 4.7°				33.3° - 3.5°	25.0° - 2.6°
	V		33.3° - 3.5°				25.0° - 2.6°	18.8° - 2.0°
		Iris	Focus		Zoom			
Supply Voltage	DC8V		DC8V		DC8V			
Current	20mA or less		40mA or less		35mA or less			
Response Time	Approx. 2.5 sec.		Approx. 4.5 sec.		Approx. 3.5 sec.			
Preset Potentiometer	—		—		—			
Operating Temperature	-10°C - +50°C							

1/2
type

C

M.O.D. : Minimum Object Distance

Dimensions



Wiring Diagram

