

WTX-1200A

PTZ Controller

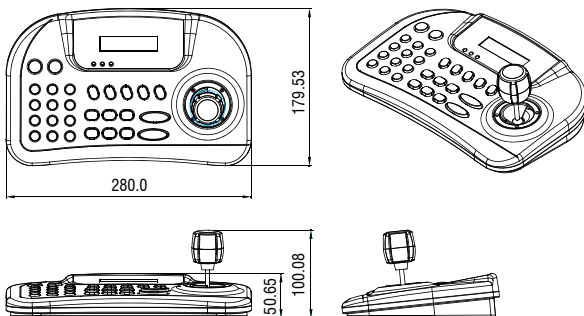


FEATURES

- USB mouse function
- Operate with 9V battery
- Controls up to 255 cameras.
- Multiple protocol supported in each channel
- RS-485 / RS-422 communication (Tx : 3 port, TRx :1 port).
- Programmable user preferences. (Preset, Tour, Pattern, etc.)
- Built-in 3-Axis proportional joystick
- Easy upload of programmed data via serial communication.
- Built-in 2 lines character LCD.
- User password support.
- Programmable transmission speed for each ID. (2.4~57.6kbps)
- Easy to be integrated with DVR(key-code value provided)

DIMENSIONS

Unit : mm



SPECIFICATIONS

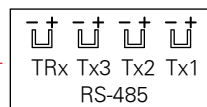
MODEL	WTX-1200A
Keyboard Communication	Interface : RS-485 / RS-422
	Operating distance : 4000ft (1.2Km) on 24 AWG wire
	Protocol : Multiple (Pelco-D, Pelco-P, WONWOO, Etc.)(Baud rate selectable)
Connector Type Data	TERMINAL BLOCK(8p)
Keyboard Button	Rubber button Numeric keypad and camera function key
Joystick	Stick 3-axis, variable speed with zoom
Input Voltage	DC 12V or 9V battery (Battery mode)
Power Consumption	Max. 140mA
LCD Display	Graphic display 16 character x2 lines
Operating Temperature	0°C ~ 45°C
Humidity	10% ~70% Non-condensing
Dimension	280(W) x 100.08(H) x 179.3(D)mm
Weight	0.7 kg
Packaging includes	WTX-1200A KEYBOARD, ADAPTOR
	Includes : USB CABLE, MANUAL, TERMINAL BLOCK(8p)

FUNCTIONS



Mouse Function

Mouse ON/OFF(Push 2~3 Seconds)



RS-485 / RS-422 communications

Built-in 3ports of Tx, 1port of TRx



9V Battery

Operate with a 9V battery or power adapter