

4K UHD Box Camera BMH-U18



4K C/CS Mount Box Camera

EX-SDI 4K
HD-SDI



CAMERA	
Image Sensor	1/1.7" Sony CMOS Sensor
Total Pixels	4072(H) x 3046(V) = 12.40M Pixels
Active Pixels	4152(H) x 2174 (V) = 9.03M Pixels
Scanning System	Progressive Scan
Min. Illumination	Color(1/30s) : 0.15 lux , BW(1/30s) : 0.01lux
	Color DSS(1/7.5s) : 0.0375 lux , BW DSS(1/7.5s) : 0.002 lux
S/N Ratio	more than 50dB (AGC off)
Video Output	EX-SDI 4K, HDMI, HD-SDI, EX-SDI, CVBS

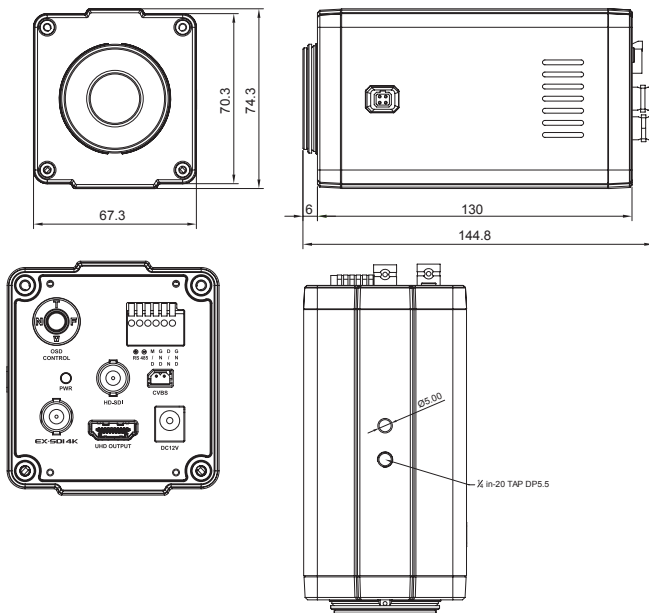
LENS	
Lens Type	C/CS mount lens

Features

- 12 MP Sony CMOS sensor
- EX-SDI 4K, HDMI, HD-SDI, EX-SDI, CVBS
- C/CS Mount

Dimensions

Unit : mm



GENERAL	
Power Source	DC12V±10%
Power Consumption	650mA
Operating Temperature	-10°C ~ +50°C / 0% ~ 90% RH
Dimensions	67.3(W) x 74.3(H) x 144.8(D) mm
Weight	0.46Kg